

## VACUUM BREAKER VB16

### DESCRIPTION

The VB16 vacuum breakers are simple and reliable devices that automatically relieve or “break” an unwanted vacuum condition, restoring the atmospheric pressure.

This device is particularly suitable for steam heated units of small and medium volume, such as heat exchangers, heating coils, calorifiers, jacketed kettles, steam boilers, etc.

OPTIONS:               Stainless steel inlet deflector.

USE:                    Saturated steam and other gases compatible with the construction.

AVAILABLE MODELS:    VB16 – stainless steel.

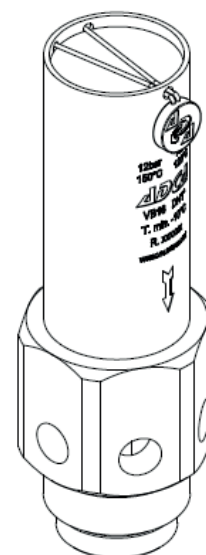
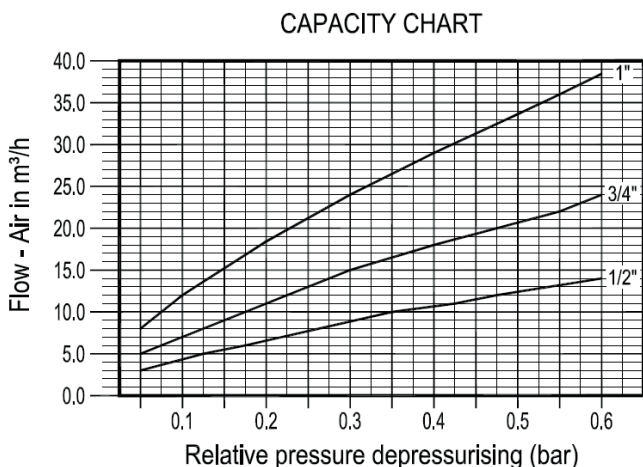
SIZES:                 1/2” to 1”.

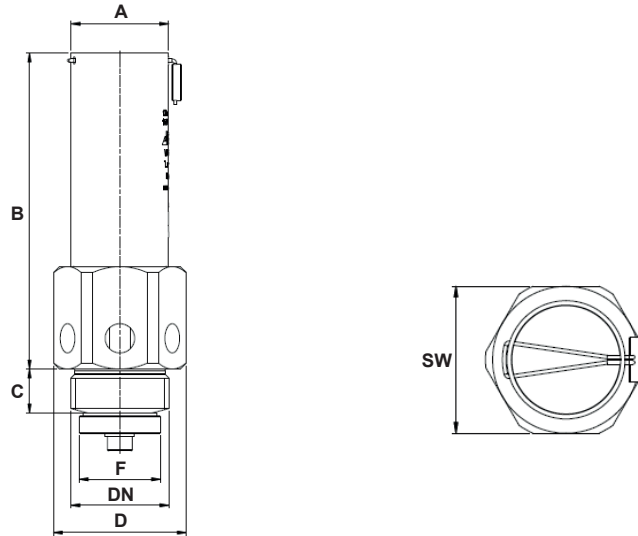
REGULATING RANGES:   0,05 – 0,10 bar; 0,09 – 0,20 bar; 0,19 – 0,30 bar; 0,29 – 0,40 bar; 0,39 – 0,50 bar.

CONNECTIONS:       Male threaded ISO 228 G.

INSTALLATION:       Vertical installation.  
 See IMI – Installation and maintenance instructions.

LIMITING CONDITIONS:   12 bar at 150 °C.  
 16 bar at 120 °C.

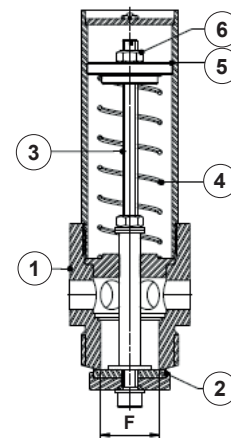




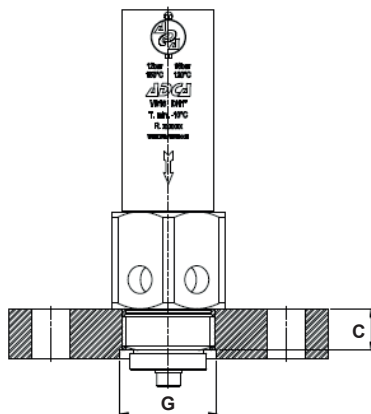
DIMENSIONS (mm)									
SIZE	A	B	C	D	E	F	G	SW	WEIGHT (kg)
1/2"	26	82	11	35	18	12,5	23	32	0,25
3/4"	33	85	13	39	21	16,5	28	36	0,34
1"	33	108	15	45	27,5	20	35	41	0,51

MATERIALS		
POS. N°	DESIGNATION	MATERIAL
1	Body	AISI 316 / 1.4401
2	* Valve	AISI 316 / 1.4401 ; Viton
3	Stem	AISI 304 / 1.4301
4	* Spring	AISI 302 / 1.4300
5	Spring guide	AISI 304 / 1.4301
6	Nut	Stainless steel A2-70

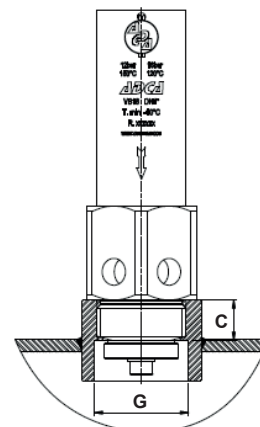
\* Available spare parts.



### TYPICAL INSTALLATION



With flange



With socket