

THERMOSTATIC STEAM TRAP UTS22 (For use with universal pipeline connectors)

DESCRIPTION

The UTS22 series thermostatic steam traps and air eliminators, completely in stainless steel, are maintenance free and sealed traps. They are specifically designed to be used on process equipment such as kettle cookers, sterilizers, food, chemical and laundry equipment. These traps fit the UCX universal connectors and CTS4U compact stations.

MAIN FEATURES

- Sealed, non-maintainable.
- Modulating discharge.
- Discharges condensate close to steam temperature.
- Thermostats for different sub cooling temperatures (5 °C to 30 °C).
- Excellent air discharge.
- Operates on moderate superheated steam.

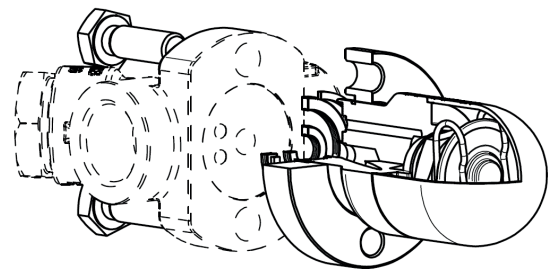
USE: Saturated steam.

AVAILABLE

MODELS: UTS22 – stainless steel.
UTS22LC – stainless steel, low capacity.

SIZES: According to the selected pipeline connector.

INSTALLATION: In any position.
See IMI – Installation and maintenance instructions.



BODY LIMITING CONDITIONS *	
CLASS 300 ALLOWABLE PRESSURE	RELATED TEMPERATURE
39,9 bar	-10 / 50 °C
34,4 bar	100 °C
28,8 bar	200 °C
25,2 bar	300 °C
23,1 bar	400 °C

PMO – Maximum operating pressure: 22 bar;
TMO – Maximum operating temperature: 250 °C.
* According to EN 1759-1:2004.

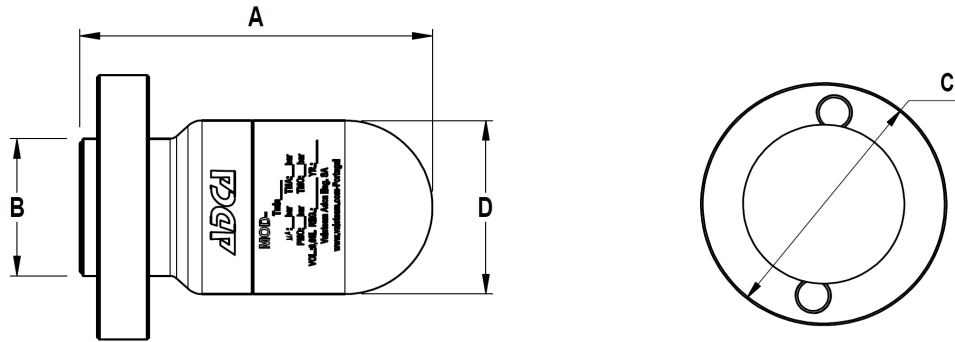
Remark: the pipeline connector may restrict the operating conditions to a lower rating.

FLOW RATE CAPACITY (kg/h)															
MODEL	DIFFERENTIAL PRESSURE (bar)														
	0,2	0,3	0,5	1	1,5	2	3	4	6	8	10	13	15	20	22
UTS22	70	120	140	255	330	385	455	510	600	670	700	720	750	775	795
UTS22LC	45	55	70	95	125	135	180	200	270	315	330	360	370	405	415

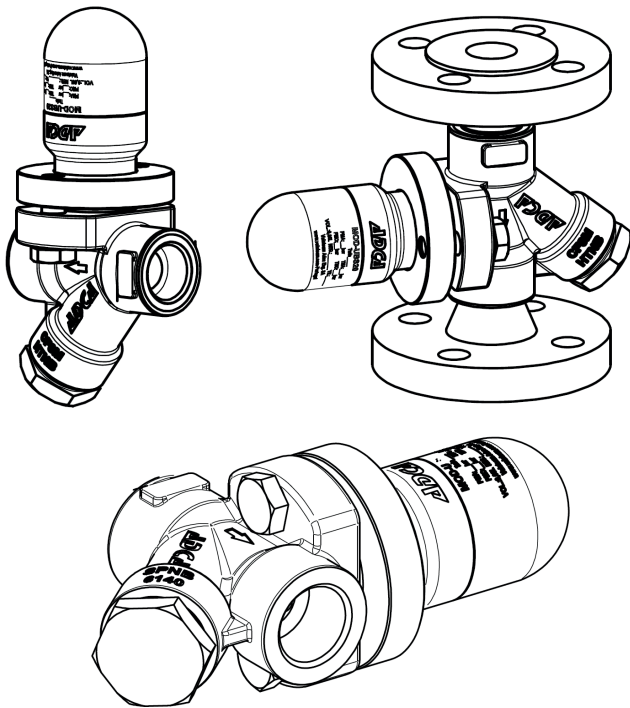
Capacities shown refer to condensate at 10 °C below saturated steam temperature (standard type S thermostat).

Thermostats for 5 °C (type H) and 30 °C (type L) also available.

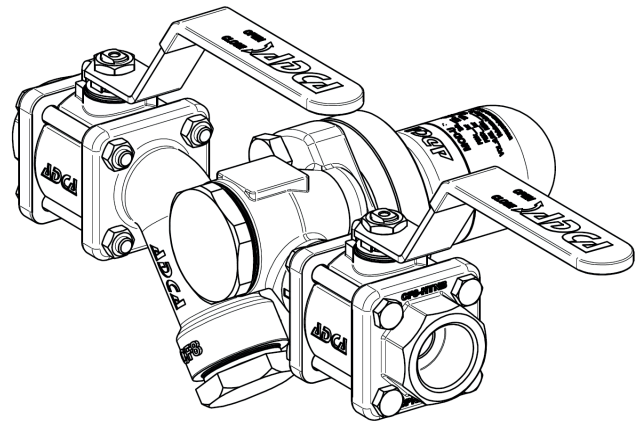
Capacities for cold condensate discharge at 20 °C are two to three times greater.



DIMENSIONS (mm)					
MODEL	A	B	C	D	WEIGHT (kg)
UTS22	89	35	67	44	0,95



UTS steam trap connected to a UCX universal pipeline connector



UTS steam trap connected to a CTS4U compact station

MATERIALS		
POS. N°	DESCRIPTION	MATERIAL
1	Body	AISI 316L / 1.4404
2	Cover	AISI 316 / 1.4401
3	Valve seat	AISI 304 / 1.4301
4	Thermostatic element	Stainless steel
5	Spring	AISI 302 / 1.4300
6	Gasket	Copper
7	* Inlet gasket	Stainless steel / Graphite
8	* Outlet gasket	Stainless steel / Graphite
9	Flange	AISI 316 / 1.4401
10	Retainer ring	Steel
11	Bolts	ASTM A193 Gr. B7

* Available spare parts.

