

THERMOSTATIC STEAM TRAPS AND AIR VENTS TH21SS

DESCRIPTION

The TH21SS series thermostatic steam traps and air vents are specifically designed for use on process equipment such as kettle cookers, sterilizers, food, chemical and laundry equipment.

MAIN FEATURES

- Modulating discharge.
- Discharges condensate close to steam temperature.
- Thermostats for different sub cooling (5 °C to 30 °C).
- Excellent air discharge.
- Operates on moderate superheated steam.
- Built-in strainer.

USE: Saturated steam.

AVAILABLE

MODELS: TH21SS – stainless steel.
TH21SSLC – stainless steel, low capacity.
TH21/2SS – stainless steel, high capacity.

SIZES: 1/2" to 1"; DN 15 to DN 25.

CONNECTIONS: Female threaded ISO 7 Rp or NPT.
Flanged EN 1092-1 PN 40.
Flanged ASME B16.5 Class 150 or 300.

INSTALLATION: Horizontal installation recommended, can be installed in any position.
See IMI - Installation and maintenance instructions.



CE MARKING – GROUP 2 (PED – European Directive)

PN 40	Category
1/2" to 1" – DN 15 to 25	SEP

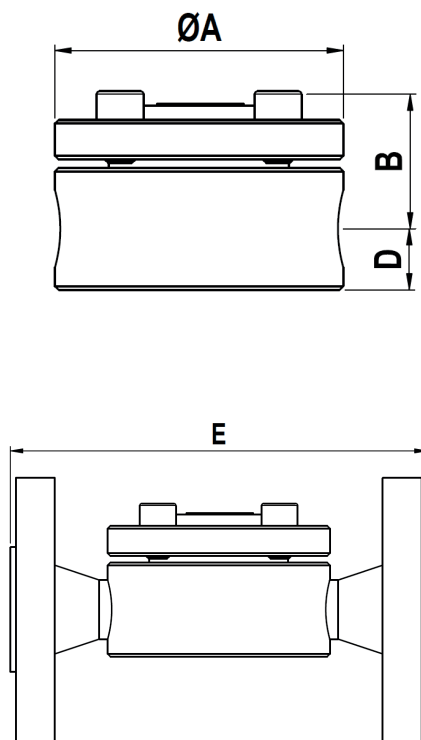
BODY LIMITING CONDITIONS			
FLANGED CLASS 150 **	FLANGED CLASS 300 **	FLANGED PN 40 *	RELATED TEMP.
ALLOWABLE PRESSURE	ALLOWABLE PRESSURE	ALLOWABLE PRESSURE	
13,3 bar	34,4 bar	37,9 bar	100 °C
11,1 bar	28,8 bar	31,8 bar	200 °C
10,2 bar	26,6 bar	29,9 bar	250 °C
9,7 bar	25,2 bar	27,6 bar	300 °C

PMO – Max. operating pressure: 21 bar;
TMO – Max. operating temperature: 250 °C.
* Acc. to EN 1092-1:2018. ** Acc. to EN 1759-1:2004.
Body limiting conditions PN 40 or below, depending on the type of connection adopted. Rating PN 40 for threaded versions.

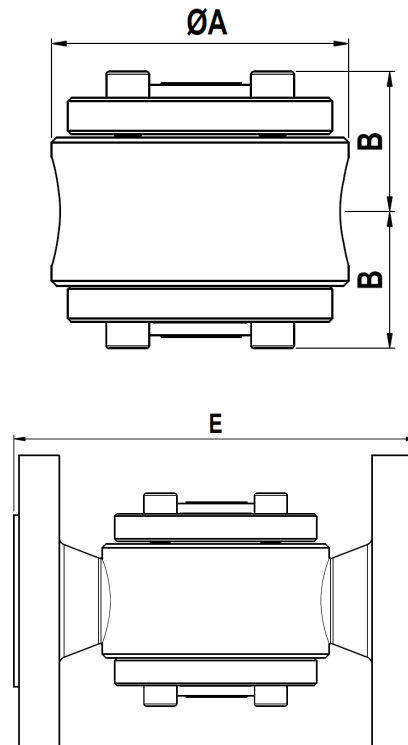
FLOW RATE CAPACITY (kg/h)

MODEL	SIZE	DIFFERENTIAL PRESSURE (bar)														
		0,2	0,3	0,5	1	1,5	2	3	4	6	8	10	13	15	20	21
TH21SS	1/2" to 1" DN 15 to 25	70	120	140	255	330	385	455	510	600	670	700	720	750	775	795
TH21SSLC	1/2" to 1" DN 15 to 25	45	55	70	95	125	135	180	200	270	315	330	360	370	405	415
TH21/2SS	1" – DN 25	140	240	280	510	660	770	910	1020	1200	1340	1400	1440	1500	1550	1590

Capacities shown refer to condensate at 10 °C below saturated steam temperature (standard type S thermostat).
Thermostats for 5 °C (type H) and 30 °C (type L) also available. Capacities for cold condensate discharge at 20 °C are two to three times greater.



TH21SS



TH21/2SS (Only DN 25 – 1")

DIMENSIONS (mm)											
SIZE	THREADED				PN 40		CLASS 150		CLASS 300		
	A	B	D	WEIGHT (kg)	E	WEIGHT (kg)	E	WEIGHT (kg)	E	WEIGHT (kg)	
1/2" – DN 15	80	35	17	1,8	150	3,3	150	2,8	150	3,6	
3/4" – DN 20	80	37	20	1,9	150	4,1	150	3,2	150	4,8	
1" – DN 25	80	40	23	2,1 *	160	5,1 *	160	4,3 *	160	5,9 *	

* TH21/2 weighs an additional 0,15 kg.

MATERIALS		
POS. N°	DESIGNATION	MATERIAL
1	Body	AISI 316 / 1.4401
2	Cover	AISI 316 / 1.4401
3	* Gasket	Stainless steel / Graphite
4	* Valve seat	AISI 304 / 1.4301
5	* Thermostatic element	Stainless steel
6	* Strainer screen	AISI 304 / 1.4301
7	* Spring	AISI 302 / 1.4300
8	Bolts	Stainless steel A2-70

* Available spare parts.

