

## Float & Thermostatic Steam Traps - FLT32



### Description

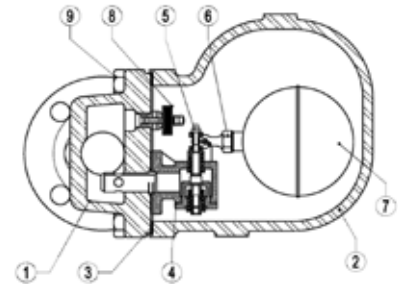
FLT32 float and thermostatic (integral air vent) steam traps series are designed for all types of low and high pressure steam heating and process equipment. Typical applications include unit heaters, heat exchangers, driers, jacketed vessels and all the applications where continuous drainage is essential. Connections are female screwed or flanged for horizontal or vertical installation.



Article no.	Threaded	Price
<b>BSP</b>		
<b>FLT32-11/2"</b>	11/2" BSP	<b>£2,231.90</b>
<b>FLT32-2"</b>	2" BSP	<b>£2,392.00</b>
Article no.	Flanged	Price
<b>PN40</b>		
<b>FLT32-11/2"</b>	PN40 DN40	<b>£2,269.50</b>
<b>FLT32-2"</b>	PN40 DN50	<b>£2,444.70</b>

### Materials

- 1 Body GP240GH / 1.0619
  - 2 Cover GP240GH / 1.0619
  - 3 \* Gasket Stainless st. / Graphite
  - 4 \* Seat CF8 / 1.4308
  - 5 \* Valve AISI 420 / 1.4021
  - 6 \* Lever AISI 304 / 1.4301
  - 7 \* Float AISI 304 / 1.4301
  - 8 \* Air vent Stainless st. (Bimetallic)
  - 9 Bolts Steel 8.8
- \*Available spare parts.



### Flow Rate Capacity in Kg/h

Model	Size	DIFFERENTIAL PRESSURE (bar)											
		0.5	1	1.5	2	4.5	7	10	12	14	16	21	
FLT32-4.5	40 - 50	2400	3400	3900	4500	7300							
FLT32-10	40 - 50	1500	2000	2600	3000	4000	5400	6200					
FLT32-14	40 - 50	950	1300	1600	1800	2600	3250	3900	4210	4950			
FLT32-21	40 - 50	950	1300	1600	1800	2600	3250	3900	4210	4950	5000	5600	

## Float & Thermostatic Steam Traps - FLT14I



### Description

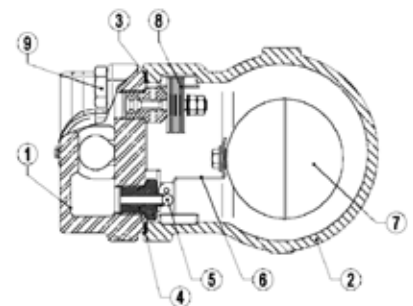
FLT14I float and thermostatic (integral air vent) steam traps series are designed for all types of low and high pressure steam heating and process equipment. Typical applications include unit heaters, heat exchangers, driers, jacketed vessels and all the applications where continuous drainage is essential. Connections are female screwed or flanged for horizontal or vertical installation.



Article no.	Threaded	Price
<b>BSP</b>		
<b>FLT14I-1/2"</b>	1/2" BSP	<b>£699.70</b>
<b>FLT14I-3/4"</b>	3/4" BSP	<b>£699.70</b>
Article no.	Flanged	Price
<b>PN16</b>		
<b>FLT14I-1/2"</b>	PN16 DN15	<b>£938.90</b>
<b>FLT14I-3/4"</b>	PN16 DN20	<b>£1,027.40</b>

### Materials

- 1 Body CF8M / 1.4408
  - 2 Cover CF8M / 1.4408
  - 3 \* Gasket Stainless st./Graphite
  - 4 \* Seat AISI 410 / 1.4006
  - 5 \* Valve AISI 440C / 1.4125
  - 6 \* Lever AISI 304 / 1.4301
  - 7 \* Float AISI 304 / 1.4301
  - 8 \* Air vent Stainless st. (Bimetallic)
  - 9 Bolts St.Steel A2-70
- \*Available spare parts



### Flow Rate Capacity in Kg/h

Model	Size	DIFFERENTIAL PRESSURE (bar)												
		0.5	1	1.5	2	3	4.5	6	7	8	9	10	12	14
FLT14I-4.5	15 - 20	200	280	320	360	400	495							
FLT14I-10	15 - 20	110	140	175	190	230	280	300	330	350	390	405		
FLT14I-14	15 - 20	70	100	120	140	155	190	210	220	225	230	260	280	300