

## Model 1216F C – Safety Relief Valve

**TOSACA**  
Safety relief valves

**SAFETY RELIEF VALVES**

### Description

Type	Safety and Relief valve
Connections	Clamp / BSP
Rating	PN-10
Material	Stainless steel 316 L SS
Temperature range	-10 to +350°C

### Requirements

Calculation	EN-4126-1 / 7 ISO-2852
Design	EN-12516-1, EN-4126-1 / 7 DIN 259 & ANSI B2.1
Materials	EN
Inspection	EN-4126-1 / 7

### Technical Information

Applications	Steam, gases, vapours and liquids
Min. Set pressure	0,2 barg
Overpressure	10%
Blowdown	Gases 10%, liquids 20%
Tolerance Set pressure	± 3%
Discharge coefficients	k= 0,55 for gases k= 0,48 for liquids

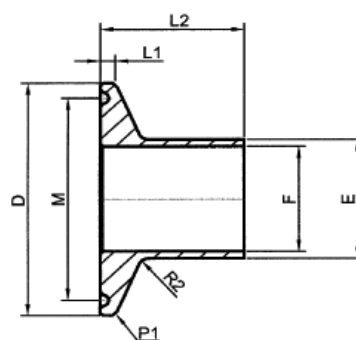
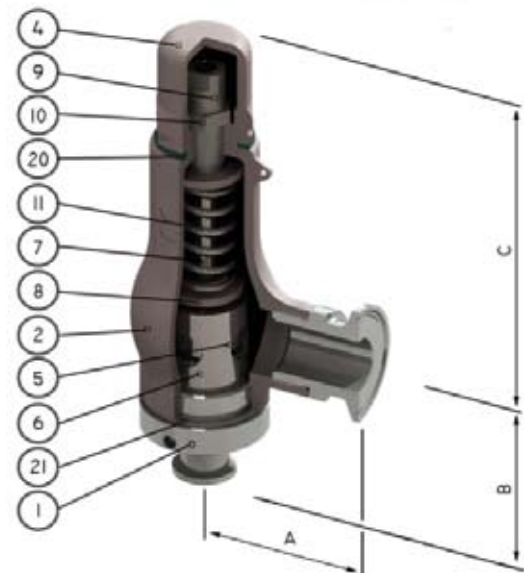
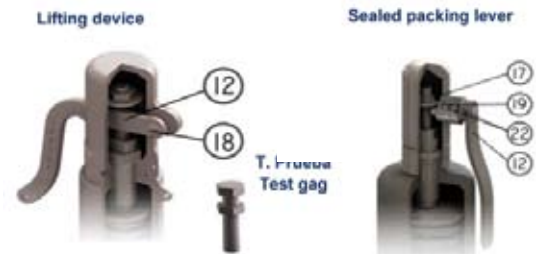
### Dimensions (mm)

Inlet	Outlet	Orifice	Area (mm <sup>2</sup> )	A	B	C	Weight (kg)	Price
15	25	9,5	71	66	68	155	2,4	<b>£529.80</b>
20	25	15	176,6	66	68	155	2,4	<b>£529.80</b>
25	25	20	254	66	73	155	2,8	<b>£563.50</b>
40	40	32	804	90	98	234	8,2	<b>£1,008.30</b>
15	1" BSP	10	71	45	68	155	2	<b>£411.20</b>
20	1" BSP	15	176,6	45	68	155	2	<b>£411.20</b>
25	1" BSP	20	254	45	68	155	2,2	<b>£444.80</b>
40	2" BSP	32	804	62	98	234	8,2	<b>£889.70</b>

### Construction and Materials

Item	Description	Material
1	Nozzle	A351 CF-3M
2	Body	A351 CF-3M
4	Cap	A351 CF-8
5*	Disc	A351 CF-3M
6	Guide	AISI-316L
7	Push Rod	AISI-316L
8	Spring Button	AISI-303
9	Adjusting Screw	AISI-303
10	Tension Nut	AISI-303
11*	Spring	AISI-302
12	Lever	A351 CF-8
17	Release nut	AISI-316L
18	Lever axis	AISI-303
19	Packing lever axis	AISI-303
20*	Gasket	PTFE
21*	Gasket	PTFE
22	Gasket	Viton
28*	Soft Seat	Viton / PTFE

\* Recommended spare parts



### Clamp ISO 2852

	D	M	E	L1	L2
<b>15</b>	25	19	12,7	2,85	12,7
<b>20</b>	25	19	19	2,85	12,7
<b>1" (25)</b>	50,5	43,525	25,6	2,85	21,5
<b>1 1/2" (40)</b>	50,5	43,538	38,6	2,85	21,5

