

TOSACA
Safety relief valves

Model 1216 B – Safety Relief Valve

Description

Type Safety and Relief valve
Connections PN16, PN40
ANSI: 150# or 300#
Threaded BSP / NPT
Rating PN-40
Material Stainless steel 316 L SS
Temperature range -28 to +350°C

Requirements

Calculation EN-4126-1 / 7
Design EN-12516-1, EN-4126-1 / 7
DIN 259, ANSI B2.1 and
ANSI B16.5
Materials EN
Inspection EN-4126-1 / 7



Technical Information

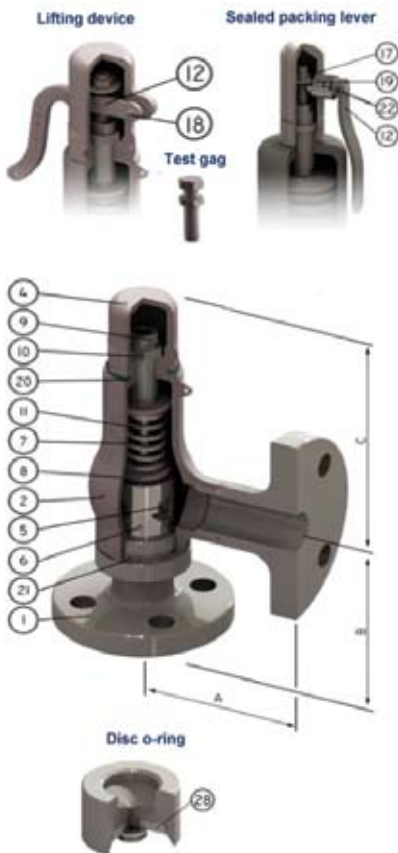
Applications Steam, gases, vapours
and liquids
Min. Set pressure 0,2 barg
Overpressure 10%
Blowdown 20%
Tolerance Set pressure ± 3%
Discharge coefficients k=0,55 for gases
k=0,48 for liquids

Construction and Materials

Description	Material
1 Nozzle	A 351 CF-3M
2 Body	A 351 CF-3M
4 Cap	A 351 CF-8
5* Disc	AISI 316 L
6 Guide	A 351 CF-3M
7 Push Rod	AISI 316 L
8 Spring Button	AISI 303
9 Adjusting Screw	AISI 303
10 Lock nut	AISI 303
11* Spring	AISI 302
12 Lever	A 351 CF-8
17 Release nut	AISI 316
18 Lever axis	AISI 303
19 Packing lever axis	AISI 303
20* Gasket	PTFE
21* Gasket	PTFE
22 Gasket	Viton
28* Soft seat	Viton / PTFE

* Recommended spare parts

Size (Inlet/Outlet)	Flange	Price
Flanged Inlet - Threaded outlet		
1/2" x 1"	ANSI 150	£411.20
3/4" x 1"	ANSI 150	£419.10
1" x 1"	ANSI 150	£431.00
1/2" x 1"	ANSI 300	£415.20
3/4" x 1"	ANSI 300	£425.10
1" x 1"	ANSI 300	£434.90
15 x 1"	PN16	£399.40
20 x 1"	PN16	£407.30
25 x 1"	PN16	£415.20
15 x 1"	PN40	£405.30
20 x 1"	PN40	£415.20
25 x 1"	PN40	£419.10
Both connections flanged		
1/2" x 1"	ANSI 150	£638.60
3/4" x 1"	ANSI 150	£646.50
1" x 1"	ANSI 150	£680.10
1/2" x 1"	ANSI 300	£670.20
3/4" x 1"	ANSI 300	£711.70
1" x 1"	ANSI 300	£757.20
15 x 1"	PN16	£601.00
20 x 1"	PN16	£601.00
25 x 1"	PN16	£622.80
15 x 1"	PN40	£664.30
20 x 1"	PN40	£690.00
25 x 1"	PN40	£711.70



Dimensions (mm)

ANSI			EN			Orifice (mm)	Area (mm ²)	A (mm)	Outlet flanged		C (mm)	Weight (kg)
Inlet	Outlet		Inlet	Outlet					A	B		
150# RF 300# RF	150# RF	BSP NPT	PN 16 PN40	PN16	BSP NPT							
1/2"		3/4"	15		3/4"	13	133		45	90	155	3
1/2"	1"	1"	15	25	1"	13	133	70	45	90	155	3
3/4"	1"	1"	20	25	1"	14	154	70	45	90	155	3,2
3/4"	1"	1"	20	25	1"	14	154	70	45	90	155	3,2
1"	1"	1"	25	25	1"	16	201	70	45	90	155	3,5

