

Model 1216 HP – High Pressure up to 400 BAR

TOSACA
Safety relief valves

SAFETY RELIEF VALVES

Description

Type	Safety and Relief valve
Connections	Threaded BSP / NPT
Rating	PN-250 & 400
Material	Stainless steel 316 L
Temperature range	-28 to +350°C
Cryogenic service until	-196°C

Requirements

Calculation	EN-4126-1 / 7
Design	EN-12516-1, EN-4126-1 / 7 DIN 259 and ANSI B2.1
Materials	EN
Inspection	EN-4126-1 / 7

Technical Information

Applications	Steam, gases, vapours and liquids
Min. Set pressure	0,2 barg
Overpressure	10%
Blowdown	Gases 10%, liquids 20%
Tolerance Set pressure	± 3%
Discharge coefficients	k=0,5 for gases k=0,4 for liquids

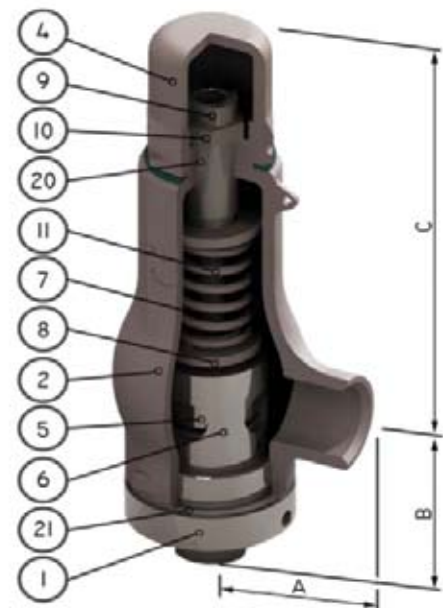
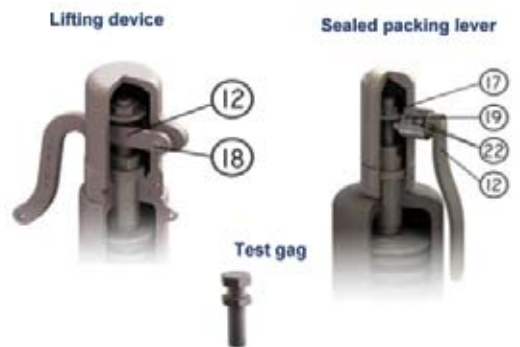
Dimensions (mm)

Inlet	Outlet	Orifice	Area (mm ²)	A	B	C	Weight (kg)	Price
PN250 PN40								
1/2"	3/4"	9	64	45	57	155	3	£721.60
3/4"	3/4"	9	64	45	57	155	3	£721.60
1"	1"	9	64	45	57	155	3	£771.10
PN400 PN40								
1/2"	3/4"	6	28	45	57	155	3	£721.60
3/4"	3/4"	6	28	45	57	155	3	£721.60
1"	1"	6	28	45	57	155	3	£771.10
PN100 PN40								
1 1/4"	2"	18	254	62	100	234	5	£939.10
1 1/2"	2"	20	314	62	102	234	6	£949.00
2"	2"	22	380	62	105	234	6.3	£978.60

Construction and materials

Item	Description	Material	
		Standard	Cryogenic
1	Nozzle	A 351 CF-3M	A 351 CF-3M
2	Body	A 351 CF-3M	A 351 CF-3M
4	Cap	A 351 CF 8	A 351 CF 8
5*	Disc	17-4 PH	17-4PH
6	Guide	A 351 CF-3M	A 351 CF-3M
7	Push Rod	AISI-316L	AISI-316L
8	Spring Button	AISI-303	AISI-303
9	Adjusting Screw	AISI-303	AISI-303
10	Tension Nut	AISI-303	AISI-303
11 *	Spring	INCONEL X750	17 / 7PH
12	Lever	A 351 CF-8	A 351 CF-8
17	Release nut	AISI-316	AISI-316
18 *	Lever axis	AISI-303	AISI-303
19	Packing lever axis	AISI-303	AISI-303
20 *	Gasket	PTFE	PCTFE
21 *	Gasket	PTFE	PCTFE
22 *	Gasket	Viton	PCTFE
28*	O ring	PTFE	Metal

* Recommended spare parts



Disc o-ring

