

TOSACA
Safety relief valves



Model 1216 – Safety Relief Valve

Description

Type Safety and Relief valve
Connections Threaded BSP / NPT
Rating PN-40
Material Stainless steel 316 L
Temperature range -10 to +350°C
Cryogenic service until -196°C

Requirements

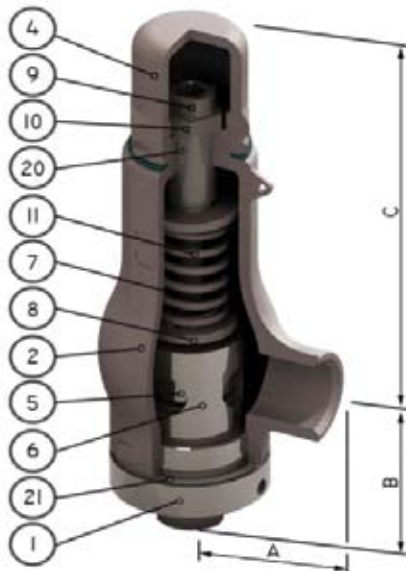
Calculation EN-4126-1 / 7
Design EN-12516-1, EN-4126-1 / 7
DIN 259 and ANSI B2.1
Materials EN
Inspection EN-4126-1 / 7

Technical Information

Applications Steam, gases, vapours and liquids
Min. Set pressure 0,2 barg
Overpressure 10%
Blowdown Gases 10%, liquids 20%
Tolerance Set pressure ± 3%
Discharge coefficients k=0,55 for gases
k=0,48 for liquids

Dimensions (mm)

| Inlet | Outlet | Orifice | Area (mm ²) | A | B | C | Weight (kg) | Price |
|--------|--------|---------|-------------------------|----|----|-----|-------------|----------------|
| 1/2" | 3/4" | 13 | 133 | 45 | 57 | 155 | 2,2 | £249.70 |
| 1/2" | 1" | 13 | 133 | 45 | 57 | 155 | 2,2 | £279.40 |
| 3/4" | 1" | 14 | 154 | 45 | 57 | 155 | 2,2 | £279.40 |
| 1" | 1" | 16 | 201 | 45 | 60 | 155 | 2,2 | £279.40 |
| 1" | 1 1/4" | 16 | 201 | 45 | 61 | 155 | 2,3 | £293.40 |
| 1" | 2" | 22 | 380 | 62 | 87 | 234 | 4,5 | £480.30 |
| 1 1/4" | 1 1/4" | 18 | 254 | 45 | 62 | 155 | 2,4 | £326.60 |
| 1 1/2" | 2" | 28 | 616 | 62 | 89 | 234 | 4,6 | £480.30 |
| 2" | 2" | 32 | 804 | 62 | 93 | 234 | 5,1 | £504.70 |



Disc o-ring



Construction and Materials

| Item | Description | Material | |
|------|--------------------|--------------|--------------|
| | | Standard | Cryogenic |
| 1 | Nozzle | SA 351 CF-3M | SA 351 CF-3M |
| 2 | Body | SA 351 CF-3M | SA 351 CF-3M |
| 4 | Cap | SA 351 CF 8 | SA 351 CF 8 |
| 5* | Disc | 316 L SS | 316 L SS |
| 6 | Guide | SA 351 CF-3M | SA 351 CF-3M |
| 7 | Push Rod | 316 L SS | 316 L SS |
| 8 | Spring Button | 303 SS | 303 SS |
| 9 | Adjusting Screw | 303 SS | 303 SS |
| 10 | Tension Nut | 303 SS | 303 SS |
| 11* | Spring | 303 SS | 17 / 7PH |
| 12 | Lever | SA 351 CF 8 | SA 351 CF 8 |
| 17 | Release nut | 306 L SS | 306 L SS |
| 18* | Lever axis | 303 SS | 303 SS |
| 19 | Packing lever axis | 303 SS | 303 SS |
| 20* | Gasket | PTFE | PCTFE |
| 21* | Gasket | PTFE | PCTFE |
| 22* | Gasket | Viton | PCTFE |
| 28* | Soft seat | Viton / PTFE | Metal |

* Recommended spare parts

