

## Culinary Steam Filter - ISC16 – ISC16I



### Description

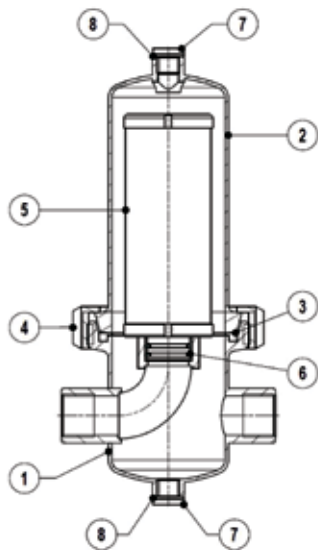
The ISC16 high efficiency filters are used to remove contaminated particles from gases such as steam and compressed air.

The optimized construction of these units offers low differential pressure at high flow rates. All sizes are build in two halves. Up to DN 3" / DN80 they are joined by a food industry fitting according to DIN 11851 and the larger sizes DN100 to DN200 by flat flanges fixed with bolts and nuts.

The filter elements (replaceable) are made of sintered austenitic stainless steel.

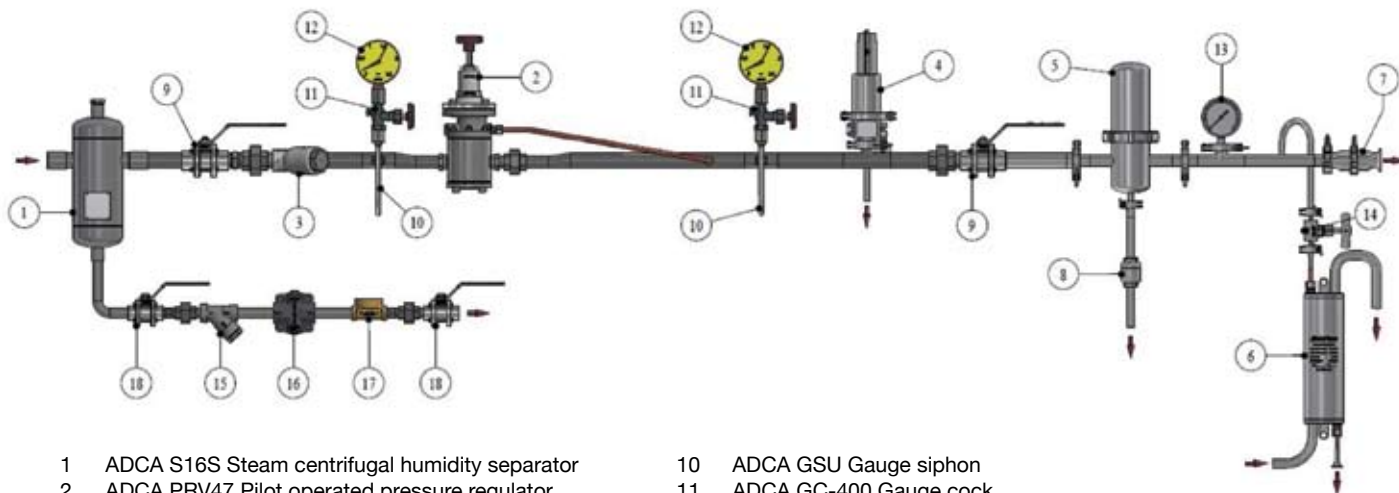
Price

**ON REQUEST**



### Materials

	ISC16	ISC16I	
1	Filter housing bowl	AISI 304 / 1.4301	AISI 316L / 1.4404
2	Filter housing cover	AISI 304 / 1.4301	AISI 316L / 1.4404
3 *	Seal	EPM, FLUORAZ	EPM , FLUORAZ
4	Closing ring	AISI 304 / 1.4301	AISI 304 / 1.4301
	* Filter element Sintered	AISI 316L Sintered	AISI 316L
	Filter end caps	AISI 304 / 1.4301	AISI 304 / 1.4301
6 *	Filter seal o-rings (2)	EPM , FLUORAZ	EPM , FLUORAZ
7	Plug	AISI 304 / 1.4301	AISI 304 / 1.4301
8	Gasket	PTFE	PTFE



- |   |  |    |  |
|---|--|----|--|
| 1 | ADCA S16S Steam centrifugal humidity separator | 10 | ADCA GSU Gauge siphon                        |
| 2 | ADCA PRV47 Pilot operated pressure regulator   | 11 | ADCA GC-400 Gauge cock                       |
| 3 | ADCA IS140 Y Strainer                          | 12 | ADCA MAN-100 Pressure gauge                  |
| 4 | ADCAPure SRV6 Safety valve                     | 13 | ADCAPure MAN10P Pressure gauge               |
| 5 | ADCAPure ISC16 Culinary steam filter           | 14 | ADCAPure NV400P Sanitary needle valve        |
| 6 | ADCAPure SC32P Sample cooler                   | 15 | ADCA IS140 Y Strainer                        |
| 7 | Sanitary check valve                           | 16 | ADCA FLT17 Float and thermostatic steam trap |
| 8 | ADCA TSS22 Steam trap                          | 17 | ADCA SW12 Sight glass                        |
| 9 | ADCA M3S1 Three piece ball valve               | 18 | ADCA M3S1 Three piece ball valve             |