



Pneumatic Control Valves - PV926A

V926A Aseptic Angle Valve with Linear Actuator PA series

Description

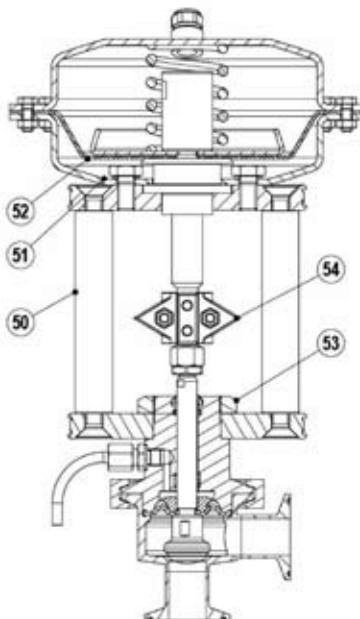
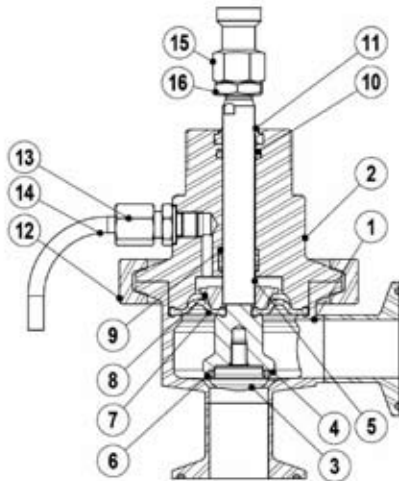
The PV926A aseptic control valves are single seated, two-way body constructed with angle connections. The PA pneumatic actuator is rubber diaphragm and multisprings. Its action can be DA - direct action (air to close) or RA-reverse action (air to open). The PV926A valves have been designed to assure an accurate control in any process condition. The self draining design is ideally suited to applications in clean steam service.

Price
ON REQUEST

Limiting Conditions

Body design conditions	PN 16
Maximum operating pressure	13 bar @ 38 °C
Max. operating steam pressure	6 bar
Max. oper. temperature steam and water	170 °C
Max. operating temperature with air	150 °C
Minimum operating temperature	-10 °C

Higher and lower limits on request



Materials

1	Valve body	AISI316L / 1.4404
2	Bonnet	AISI316L / 1.4404
3 *	Valve plug	AISI316L / 1.4404
4	Plug disc	AISI316L / 1.4404
5 *	Stem	AISI316L / 1.4404
6	Valve plug seal	High performance EPDM
7 *	Diaphragm	High performance EPDM
8	Diaphragm plate	AISI316L / 1.4404
9 *	Guide bushing	PTFE
10 *	O-ring	EPDM
11 *	Scraper ring	VITON
12	Clamp	AISI316 / 1.4401
13	Leak -off connection	AISI304 / 1.4301
14	Discharge pipe	AISI316 / 1.4401
15	Nut adapter	AISI316 / 1.4401
16	Lock nut	A2 - 70
50	Yoke (steel)	C45E / 1.1191
	Yoke (stainless steel)	AISI304 / 1.4301
51	Actuator (steel)	S235JRG2 / 1.0038
	Actuator (stainless steel)	AISI304 / 1.4301
52 *	Diaphragm	NBR 70
53	Lock nut	CF8 / 1.4308
54	Coupling (travel indicator)	CF8 / 1.4308

* Available spare parts.

Remarks: FDA/USP Class VI seals certificate on request

All valves have a serial number. In case of non-standard valves this number must be supplied if spare parts are ordered.