

Shell and Tube Heat Exchanger

Steam to water - Vertical installation (STS) - Horizontal installation (STH)



SPECIAL EQUIPMENT

Description

The ADCA-STS/STH series steam to water shell and tube heat exchangers are shorter and lighter than the alternative shell and tube exchangers manufactured with smooth pipes. The use of extruded low fin tube has the advantage that it can improve the external surface and thermal performance.

Materials

	STS Series	STH Series
Tube bundle	AISI316L / 1.4404	AISI316L / 1.4404
Tubesheet	AISI316L / 1.4404	AISI316 / 1.4401
Heads and shell	AISI316L / 1.4404	S235 JRG2 / 1.0038 ; P235GH / 1.0305
Inlet / Outlet pipes	AISI316L / 1.4404	P235GH / 1.0305
EN Flanges	AISI316L / 1.4404	P250GH / 1.0460
ANSI Flanges	AISI316L / 1.4404	ASTM A105 / 1.0432
Sockets	AISI316L / 1.4404	ASTM A105 / 1.0432
Suports	AISI304 / 1.4301	S235 JRG2 / 1.0038
EN10204 3.1B certificate available if requested with the order.		

Limiting Conditions (Tube and Shell)** - STS Series

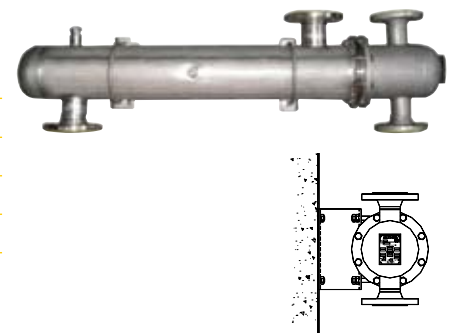
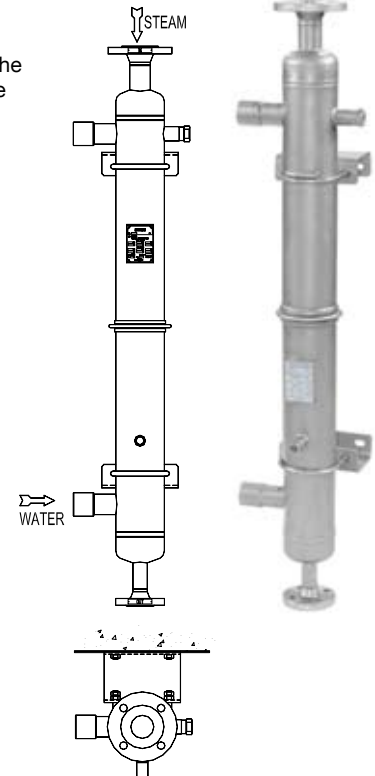
Rating	Pressure BAR	Temp. °C	Rating	Size	Pressure BAR	Temp. °C
PN16	16	50	ANSI CL. 150lbs	DN15	16	50
	16	100		DN20 to DN40	16	100
	13*	195		DN50 to DN100	13*	195
	12	250		DN125 to DN150	-	-

*PMO-Max.operating pressure for saturated steam.
Minimum operating temp.: -10°C. Design code: AD-Merkblatt
** Rating according to EN1092:2007.

Limiting Conditions - STH Series

Rating	Pressure BAR	Temp. °C	Rating	Size	Pressure BAR	Temp. °C
PN16	16	120	ANSI Cl. 150lbs	DN15	16	120
	14*	198		DN50 to DN100	14*	198
	13	250		DN125 to DN150	-	-

*PMO-Max.operating pressure for saturated steam.
Minimum operating temp.: -10°C. Design code: AD-Merkblatt



Hotwells - Boiler Feed Tanks

Standard units are fabricated from stainless steel and are externally braced when the volume is above 1.5m³



Connections include:

- Drain
- Overflow
- Makeup water inlet
- Boiler feed outlet
- Level probe connection
- Condensate return
- 1/2" sight glass connections
- Steam injection
- Thermostatic controller
- Temperature gauge
- Vent
- Chemical dosing
- Man way

Other options include:

- Destratification
- Semi dearator heads
- Extra connections
- Carbon steel construction
- Support frames

Bespoke/Made to order

Externally braced - Stainless Steel construction
Outlet For boiler feed lines
Inlet For cold water supply
For condensate return

Available on request

- Deaerator Heads
- Steam Injection
- Sparge pipes for condensate return
- Level probes and controls
- Gantry & access platforms
- GantryVent heads

