



### 3 Piece Ball Valves - M3S1

#### Description

M3S1 three pieces ball valves are isolating valves designed for use on steam, condensate and other gases and liquids compatible with the construction. The valve is not designed as a control valve and should be used only as an isolating valve, fully open or fully closed. Connections are threaded or socket welded.



Article No. BSP	Size	Price
346835	1/2"	£93.30
346836	3/4"	£111.50
346837	1"	£160.90
346838	1 1/4"	£199.30
346839	1 1/2"	£277.90
346840	2"	£363.90

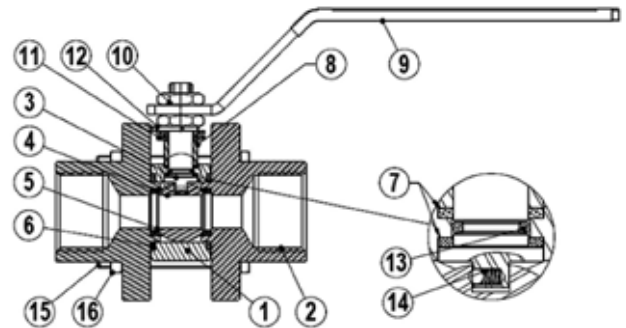
#### Valve Body Limiting Conditions

Allowable Pressures	Related Temp.
100 bar	-10 /140°C
80 bar	100°C
40 bar	150°C
7 bar	220°C

#### Materials

1	Body	ASTM A-105 / 1.0432
2	Body cap	ASTM A-105 / 1.0432
3	Stem	AISI 316 / 1.4401
4	Ball	AISI 304 / 1.4301
5*	Seat	** PTFE /GR
6*	Body gasket	PTFE/GR
7*	Stem gasket	PTFE/GR
8	Gland	AISI 304 / 1.4301
9	Lever	Zinc plated carbon st.
10	Gland nut	Steel 8.8 zinc plated
11	Washer springs	Spring steel
12	Stop plate	Zinc plated carbon st.
13	Stem o-ring	Viton
14	Anti-static device	AISI 304 / 1.4301
15	Bolts	Steel 8.8 Zinc plated
16	Nuts	Steel Cl.8 Zinc plated

\* Available spare parts \*\* PTFE/GR - Carbon graphite reinforced PTFE



### 316 Stainless Steel 3 Piece Ball Valves



Size	Max Pressure BAR	Valve Bore	Article no. BSP	Price
1/2"	10	15	482122	£45.70
3/4"	10	20	482123	£56.70
1"	10	25	482124	£72.30
1 1/4"	10	32	482233	£83.00
1 1/2"	10	38	482125	£150.80
2"	10	50	482126	£211.00

Padlock	Price
PAD2	£10.20

#### Materials

Body	Investment Cast S/S CF8M (316)
Ball	316 S/S - Mirror Finish
Stem Seal	PTFE
Ball Seal	RPTFE
Handle	304 S/S Lockable Open/Closed

Pressure Vs. Temperature Chart

