



## Bellows Sealed Globe Valves

### Article 346 - PN40 Carbon Steel

Size	Article no.	Max. Pr	Price
1/2"	<b>MIV34604</b>	40 bar	<b>£414.00</b>
3/4"	<b>MIV34605</b>	40 bar	<b>£441.80</b>
1"	<b>MIV34606</b>	40 bar	<b>£466.70</b>
1 1/4"	<b>MIV34607</b>	40 bar	<b>£538.30</b>
1 1/2"	<b>MIV34608</b>	40 bar	<b>£620.30</b>
2"	<b>MIV34610</b>	40 bar	<b>£693.40</b>
2 1/2"	<b>MIV34612</b>	40 bar	<b>£1,110.30</b>
3"	<b>MIV34614</b>	40 bar	<b>£1,402.90</b>
4"	<b>MIV34618</b>	40 bar	<b>£1,834.40</b>
5"	<b>MIV34619</b>	30 bar	<b>£2,644.80</b>
6"	<b>MIV34620</b>	21 bar	<b>£3,371.90</b>
8"	<b>MIV34621</b>	14 bar	<b>£6,928.10</b>
10"	<b>MIV34622</b>	9 bar	<b>£11,202.60</b>

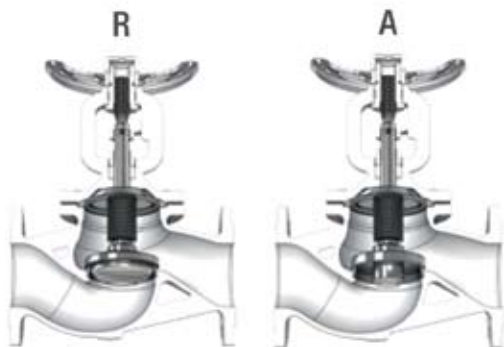
### Article 347 - PN40 Stainless Steel

Article no.	Max. Pr	Price £
<b>MIV34704</b>	40 bar	<b>£860.20</b>
<b>MIV34705</b>	40 bar	<b>£896.70</b>
<b>MIV34706</b>	40 bar	<b>£1,103.00</b>
<b>MIV34707</b>	40 bar	<b>£1,208.30</b>
<b>MIV34708</b>	40 bar	<b>£1,489.20</b>
<b>MIV34710</b>	40 bar	<b>£1,609.10</b>
<b>MIV34712</b>	40 bar	<b>£2,359.60</b>
<b>MIV34714</b>	40 bar	<b>£2,596.60</b>
<b>MIV34718</b>	40 bar	<b>£3,723.00</b>
<b>MIV34719</b>	30 bar	<b>£5,103.90</b>
<b>MIV34720</b>	21 bar	<b>£6,619.40</b>
<b>MIV34721</b>	14 bar	<b>£11,992.50</b>

It is necessary to use the balanced disc when the working pressure is over the following values

DN	125	150	200	250
Pressure (BAR)	30	21	14	9

#### Options Available



Regulating Disc

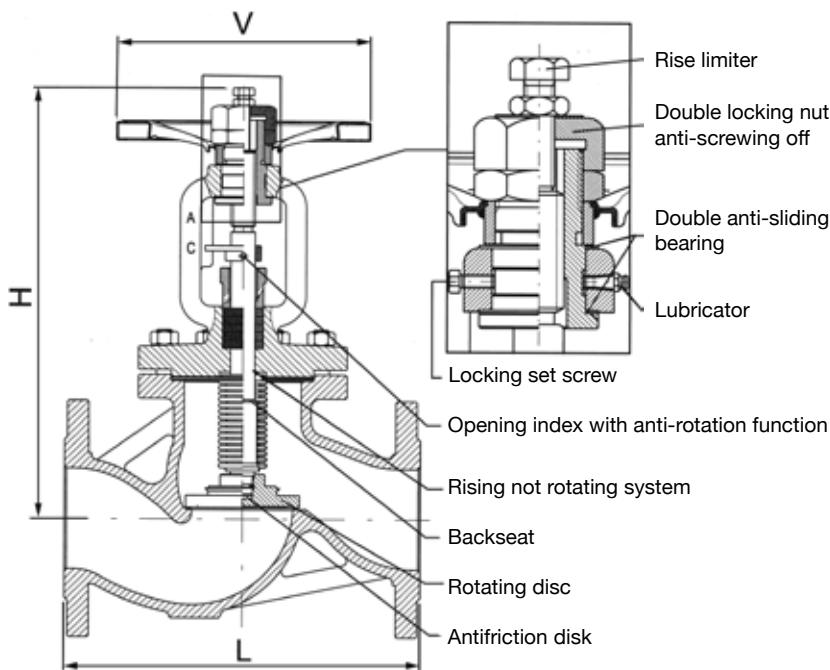
SDNR Automatic disc with check function and on/off valve

#### THE VALVES BELOW HAVE PRESSURE BALANCE DISC FOR OPERATION AT FULL PRESSURE

5"	<b>MIV34619EQ</b>	30 bar	<b>£3,373.30</b>	<b>MIV34719EQ</b>	40 bar	<b>£6,562.40</b>
6"	<b>MIV34620EQ</b>	40 bar	<b>£4,156.00</b>	<b>MIV34720EQ</b>	40 bar	<b>£8,186.10</b>
8"	<b>MIV34621EQ</b>	40 bar	<b>£7,905.30</b>	<b>MIV34721EQ</b>	40 bar	<b>£13,948.30</b>
10"	<b>MIV34622EQ</b>	40 bar	<b>£12,446.00</b>			

### Materials

Body	DN 15 -50: C 22.8 DN 65 - 250: Gp-240 GH+N
Yoke	DN 15 -125: C 22.8 DN 150 - 250: Gp-240 GH+N
Stem	X20 Cr13
Seat	X5 CrNi 18 10
Disc	DN 15 -100: X20 Cr13 DN 125 - 150: C22.8 + X5CrNi 18 10
Bellows	X6 CrNi 18 10
Gaskets	Graphite



### Dimensions (mm)

DN	15	20	25	32	40	50	65	80	100	125	150	200	250
L	130	150	160	180	200	230	290	310	350	400	480	600	730
H	230	233	240	248	277	287	373	377	410	458	516	633	785
V	125	125	125	125	150	150	200	200	250	300	350	400	500
Kg	4.8	5.4	6.8	9.3	12.9	15.6	27	31	45	70	99	188	275
Kv	4.77	7.55	12.2	17.5	27.8	44.3	81	115.4	184.1	272.5	382.7	960.6	1086