

SG Iron Bellows Sealed Globe Stop Valve



Article 64 - PN16

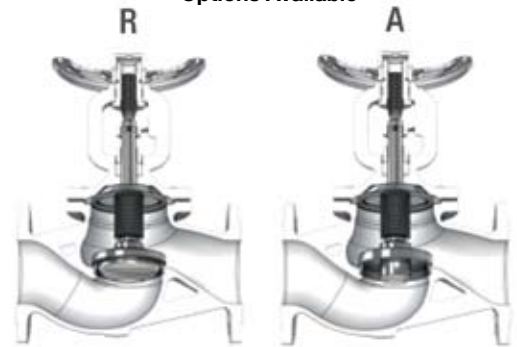
Article no.	Size	Price
MIV6404	1/2"	£204.80
MIV6405	3/4"	£223.80
MIV6406	1"	£247.20
MIV6407	1 1/4"	£295.50
MIV6408	1 1/2"	£320.40
MIV6410	2"	£389.10
MIV6412	2 1/2"	£576.40
MIV6414	3"	£664.10
MIV6418	4"	£838.20
MIV6419	5"	£1,285.90
MIV6420	6"	£1,711.50
MIV6421	8"	£3,401.10
MIV6422	10"	£5,403.80

Article 63 - PN25

Article no.	Size	Price
MIV6304	1/2"	£225.30
MIV6305	3/4"	£235.50
MIV6306	1"	£272.10
MIV6307	1 1/4"	£323.30
MIV6308	1 1/2"	£364.30
MIV6310	2"	£421.30
MIV6312	2 1/2"	£651.00
MIV6314	3"	£787.00
MIV6318	4"	£1,010.80
MIV6319	5"	£1,429.20
MIV6320	6"	£1,979.20
MIV6321	8"	£4,681.10

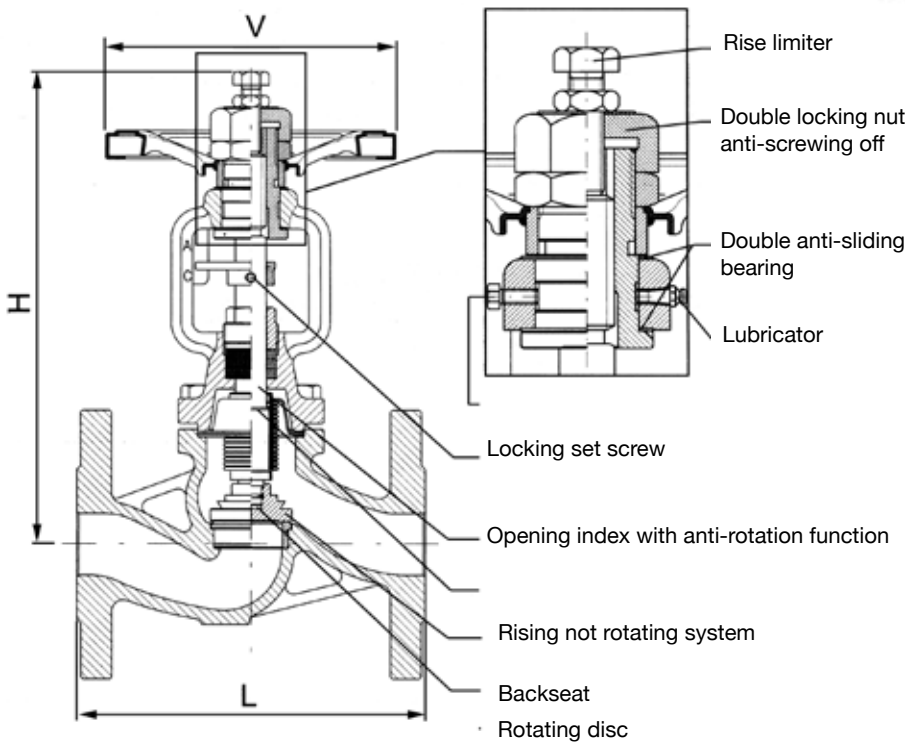


Options Available



Regulating Disc

SDNR Automatic disc with check function and on/off valve



Materials

Body/yoke	EN-GJS-400-18-LT
Stem	X20 Cr13
Seat	DN 15 -125: X20 Cr13 DN 150 - 300: St52-3 + X5CrNi 18 10
Disc	DN 15 -100: X20 Cr13 DN 125 - 300: C22.8 + X5CrNi 18 10
Bellows	X6 CrNiTi 18 10
Gaskets	Graphite

Dimensions (mm)

DN	15	20	25	32	40	50	65	80	100	125	150	200	250	300
L	130	150	160	180	200	230	290	310	350	400	480	600	730	850
H	217	219	230	233	258	260	353	358	380	391	469	582	683	712
V	125	125	125	125	150	150	200	200	250	300	350	400	500	600
Kg - Art. 64	4	4.8	5.8	7.2	10	12	21	24	31	46	60	113	180	241
Kg - Art. 63	4	4.8	5.3	6.9	10	12	21	23	33	48	67	117		
Kv	4.59	7.26	11.5	16.8	26.7	42.6	77.9	111	177	262	364	664	1044	1493