

Bronze Globe Valve - GV32B

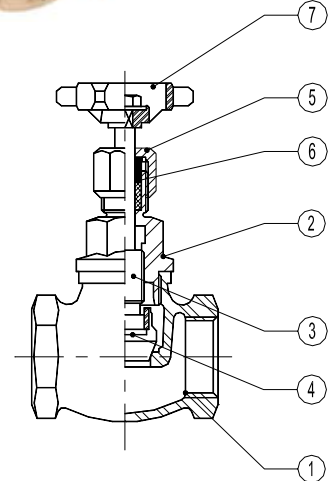
Description

GV32B bronze in line stop valves, screwed type for use on steam, water, oil or air applications.

Article no. BSP	Size	Price
444899	1/2"	£52.10
551259	3/4"	£71.30
551260	1"	£105.10
551261	1 1/4"	£137.70
551262	1 1/2"	£174.60
551263	2"	£261.50

Materials

1	Valve Body	Bronze
2	Bonnet	Forged brass
3	Stem	Brass
4	Disk	Glass filled PTFE
5	Disk nut	Brass
6	Packing	PTFE
7	Handwheel	Aluminium



Flow Rate Coefficients

	1/2"	3/4"	1"	1 1/4"	1 1/2"	2"
Kvs	2	5	10	16	23	42

Kvs in m3/h, see data sheet IS PV10.00 E ;
For conversion Kvs = Cv(US) x 0,855

Limiting Conditions

Body design conditions: PN32
198°C at 14 bar
100°C at 32 bar

Forged Globe Valve – CLASS 800

Construction Features:

Bolted or Welded Bonnet
OS&Y
Threaded End or SW Ends
Rising Stem
Rolled – in Seat ring

Standard:

End Thread: BSPT ISO 7/1Rt
Socket Weld: ANSI B16.11
Basic Design: API 602
Test: API 598



Forged Steel

Article no. BSP	Size	Price
112106	1/2"	£46.40
112107	3/4"	£51.20
112108	1"	£81.60
112109	1 1/4"	£137.60
112110	1 1/2"	£144.00
112111	2"	£179.20

Stainless Steel

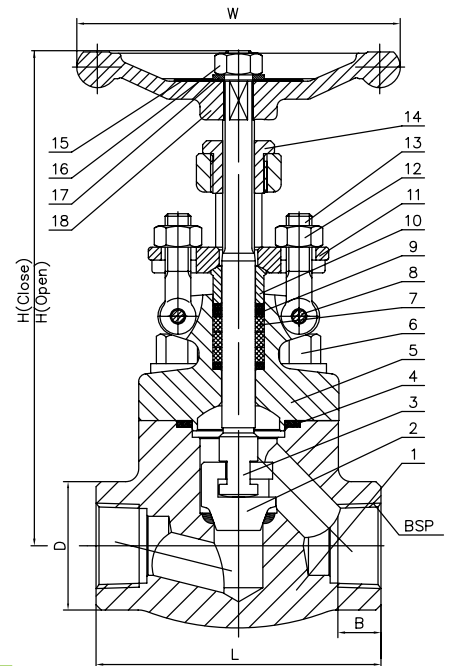
Article no. BSP	Size	Price
112113	1/2"	£144.00
112114	3/4"	£196.80
112115	1"	£252.80
112116	1 1/4"	ON REQUEST
112117	1 1/2"	£438.40
112118	2"	£560.00

Materials

	Forged Steel	Stainless Steel
1	Body A 105 +13Cr	A 182 F304
2	Disc A276 410	A276 410
3	Stem A182 F6a	A182 F6a
4	Gasket SS+Graphite	SS+Graphite
5	Bonnet A105	A182 F304
6	Hex. Bolt A193 – B7	A193 – B7
7	Packing Braid Graphite	Braid Graphite
8	Pin A276 410	A276 410
9	Packing Flexible Graphite	Flexible Graphite
10	Gland A276 410	A276 410
11	Gland Flange A105	A182 F304
12	Gland Nut A194 – 2H	A194 8
13	Gland Eyebolt A193 B7	A193 B8
14	Yoke Nut A276 410	A276 410
15	Nameplate 304SS	304SS
16	Nut A194 2H	A194 8
17	Washer A473 431	A473 431
18	Handwheel A197	A197

Dimensions

Size BSP	L	D	B	H open/close	W
1/2"	79	36	13.2	169/160	100
3/4"	92	40	15.0	171/162	100
1"	111	50	16.8	206/193	125
1 1/4"	120	58	19.1	239/222	160
1 1/2"	152	64	19.1	265/238	160
2"	172	74	19.2	300/268	180



Padlock option can be fitted on request