



## Noise Diffuser - DF15

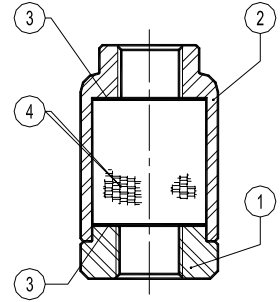
### Description

The DF15 all stainless steel noise diffuser spreads out the high velocity discharge from steam or air traps while dampening the level of noise associated with steam or compressed air trap cycles. Connections are female screwed.

Article No.	BSP	Size	Price
<b>445769</b>		1/2"	<b>£71.70</b>
<b>348584</b>		3/4"	<b>£71.70</b>
<b>348585</b>		1"	<b>£109.70</b>

### Materials

1	Body	AISI304 / 1.4301
2	Cover	AISI304 / 1.4301
3	Strainer screen	AISI304 / 1.4301
4	Element	AISI304 / 1.4301



## 316 Stainless Steel Non-Return Valve – RT 25

### Description

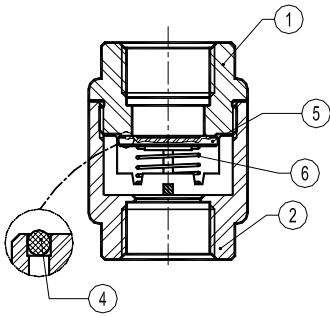
The RT25 all stainless steel disc check valve has a compact design and was specially designed for use with steam and hot condensate. Connections are female screwed.

### Materials

1	Valve Body	AISI 316 / 1.4401
2	Cover	AISI 316 / 1.4401
4	Soft Seal	Metal To Metal – Standard VITON – On Request EPDM – On Request PTFE – On Request
5	*Valve Disc	AISI 316 / 1.4401
6	*Spring	AISI 302 / 1.4300

\* Available spare parts

Article no.	Size	Price
<b>BSP</b>		
<b>443625</b>	1/4"	<b>£89.50</b>
<b>441513</b>	3/8"	<b>£89.50</b>
<b>445595</b>	1/2"	<b>£89.50</b>
<b>445628</b>	3/4"	<b>£107.00</b>
<b>445629</b>	1"	<b>£119.00</b>
<b>445679</b>	1 1/4"	<b>£206.00</b>
<b>445639</b>	1 1/2"	<b>£257.50</b>
<b>445680</b>	2"	<b>£324.50</b>



## Wafer Type Sprung Disc Check Valve – RD40

### Description

The RD40 disc check valve has a compact design and was specially designed for use with steam and hot condensate. Connections are flanged (wafer type).

### Materials - DN15 - DN100

1	Valve body	CF8M / 1.4408
2*	Disc	AISI316 / 1.4401
3*	Spring	AISI302 / 1.4300
4	Star	AISI316 / 1.4401
6*	Soft seal	PTFE/VITON/EPDM/NITRIL – On Request

\* Available spare parts

Article no.	Size	Max Pressure BAR	Price
<b>316 SS</b>			
<b>445630</b>	1/2"	40	<b>£54.00</b>
<b>445631</b>	3/4"	40	<b>£73.50</b>
<b>445632</b>	1"	40	<b>£75.50</b>
<b>445633</b>	1 1/4"	40	<b>£101.00</b>
<b>445634</b>	1 1/2"	40	<b>£125.50</b>
<b>445635</b>	2"	40	<b>£172.00</b>
<b>445636</b>	2 1/2"	40	<b>£251.00</b>
<b>445637</b>	3"	40	<b>£343.00</b>
<b>445638</b>	4"	40	<b>£501.50</b>

### Materials - DN125 - DN200

1	Valve body	S355J2G3/1.0570
2	Seat	AISI316 / 1.4401
3*	Disc	AISI316 / 1.4401
4*	Spring	AISI302 / 1.4300
5	Centering ring	AISI304 / 1.4301
6	Bearing	Steel Fe Zn
7	Star	S355J2G3/1.0570
8*	Soft seal	PTFE/VITON/EPDM/NITRIL – On Request

\* Available spare parts

Article no.	Size	Max Pressure BAR	Price
<b>CS</b>			
<b>348401</b>	5"	40	<b>£1,184.50</b>
<b>348402</b>	6"	40	<b>£1,488.50</b>
<b>348403</b>	8"	40	<b>£2,306.00</b>

