

Sight Checker - SCK

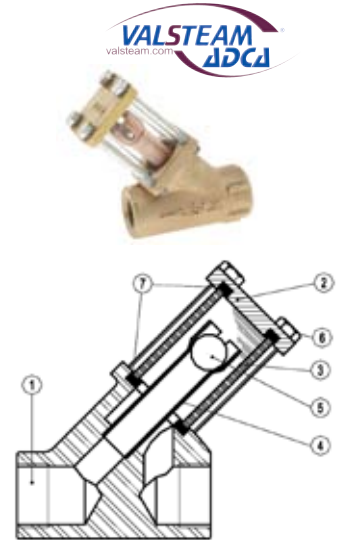
Description

Being installed after the steam trap, the sight checker is a device to be used for visually checking the conditions and leakage of steam traps. SCK sight checker functions as both sight glass and check valve. Connections are female screwed.

Article no. BSP	Size	Price
445770	1/2"	£129.30
440928	3/4"	£136.80
440929	1"	£228.90

Materials

- 1 Body Bronze B62 / ASTM B148-97
 - 2 Cover Brass EN12165 / CuZn39Pb2
 - 3 * Sight tube Borosilicate glass
 - 4 Discharge tube Copper
 - 5 Ball check Stainless steel
 - 6 Bolts Steel 8.8
 - 7 * Gasket Graphite
- *Available spare parts.



Single Window Sight Glass - SW 12

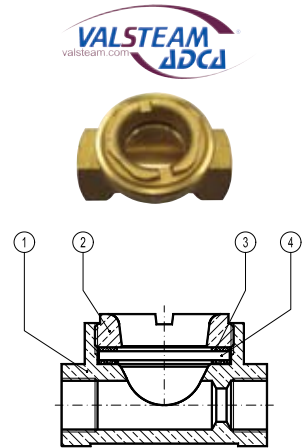
Description

For monitoring the right operation of a steam trap to avoid leakage of live steam and consequently big energy losses, a sight glass is recommended to be installed downstream of the steam trap. Single window SW sight glass, has been designed for this particular application. Connections are female screwed.

Article no. BSP	Size	Price
445649	1/2"	£86.30
445786	3/4"	£98.20
445752	1"	£108.30

Materials

- 1 Body Brass EN12165 / CuZn39Pb2
 - 2 Glass nut Brass EN12165 / CuZn39Pb2
 - 3* Gasket St. Steel / Graphite
 - 4* Window glass Borosilicate
- *Available spare parts.



Double Window Sight Glass - DW 40S

Description

For monitoring the right operation of a steam trap to avoid leakage of live steam and consequently big energy losses, a sight glass is recommended to be installed downstream the steam trap. Double window DW sight glass, has been designed for this particular application. Connections are female screwed or flanged.

DN15 – DN25

Article no. BSP	Size	Price
443348	1/2"	£152.00
443349	3/4"	£165.10
443350	1"	£231.10

Materials

- 1 Body P250GH (1.0460)
 - 2 Cover P250GH (1.0460)
 - 3 * Gasket Stainless Steel/Graphite
 - 4 * Glass Borosilicate
- * Available spare parts

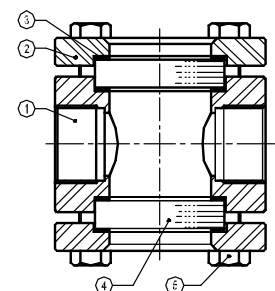


DN32 – DN50

Article no. PN40*	Size	Price
348509	1 1/4"	£331.00
444055	1 1/2"	£331.00
348510	2"	£556.40

Materials

- 1 Body S355J2G3 / 1.0570 ; P250GH / 1.0460
 - 2 Glass nut S355J2G3 / 1.0570
 - 3 * Gasket St. Steel / Graphite
 - 4 * Window glass Borosilicate
 - 5 Bolts Steel 8.8
- * Available spare parts



* Max operating pressure 25 bar