

Stainless Steel & Carbon Steel Strainers



PIPELINE ANCILLARIES

Art.265 - PN16 Cast Iron

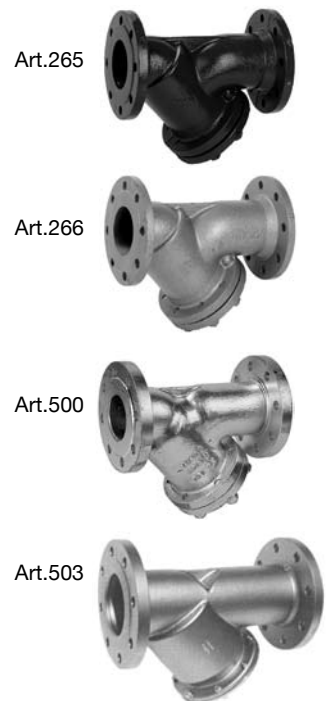
Article no.	Size	Price
MIV26504	1/2"	£46.80
MIV26505	3/4"	£57.10
MIV26506	1"	£60.00
MIV26507	1 1/4"	£73.10
MIV26508	1 1/2"	£90.70
MIV26510	2"	£106.80
MIV26512	2 1/2"	£137.50
MIV26514	3"	£177.00
MIV26518	4"	£250.10
MIV26519	5"	£359.90
MIV26520	6"	£585.10
MIV26521	8"	£1,139.60
MIV26522	10"	£2,129.90
MIV26524	12"	£3,537.20

Art.266 - PN16 Nodular Cast Iron

Article no.	Size	Price
MIV26604	1/2"	£71.70
MIV26605	3/4"	£79.00
MIV26606	1"	£89.20
MIV26607	1 1/4"	£105.30
MIV26608	1 1/2"	£137.50
MIV26610	2"	£163.80
MIV26612	2 1/2"	£219.40
MIV26614	3"	£285.30
MIV26618	4"	£478.40
MIV26619	5"	£713.90
MIV26620	6"	£1,031.30
MIV26621	8"	£1,865.10
MIV26622	10"	£3,215.40
MIV26624	12"	£5,248.70

Art.266 - PN25 Nodular Cast Iron

Article no.	Size	Price
MIV26612PN25	2 1/2"	£234.10
MIV26614PN25	3"	£285.30
MIV26618PN25	4"	£493.00
MIV26619PN25	5"	£731.40
MIV26620PN25	6"	£1,066.40
MIV26621PN25	8"	£1,891.50
MIV26622PN25	10"	£3,247.50
MIV26623PN25	12"	£5,278.00



Art.500 - PN40 Carbon Steel

Article no.	Size	Price
MIV50004	1/2"	£179.90
MIV50005	3/4"	£201.90
MIV50006	1"	£234.10
MIV50007	1 1/4"	£272.10
MIV50008	1 1/2"	£318.90
MIV50010	2"	£402.30
MIV50012	2 1/2"	£561.70
MIV50014	3"	£675.80
MIV50018	4"	£895.30
MIV50019	5"	£1,654.50
MIV50020	6"	£2,207.50
MIV50021	8"	£3,110.00

Art.503 - PN16/PN10 AISI 316 Stainless Steel with Electro-welded Flanges

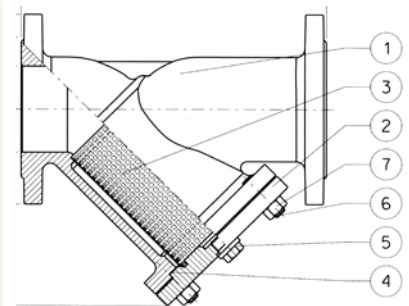
Article no.	Size	Price
MIV50304	1/2" PN16	£352.50
MIV50305	3/4" PN16	£384.70
MIV50306	1" PN16	£409.60
MIV50307	1 1/4" PN16	£512.00
MIV50308	1 1/2" PN16	£610.00
MIV50310	2" PN16	£766.50
MIV50312	2 1/2" PN16	£971.30
MIV50314	3" PN16	£1,380.90
MIV50318	4" PN16	£1,852.00
MIV50319	5" PN10	£3,265.10
MIV50320	6" PN10	£4,030.20
MIV50321	8" PN10	£9,818.70

Working Conditions

Art.265							
Temp °C	-10 / 50	150	200	250	300		
Pressure BAR	16	14.4	12.8	11.2	9.6		
Art.266 (PN16)							
Temp °C	-10 / 50	150	200	250	300	350	
Pressure BAR	16	15.5	14.7	13.9	12.8	11.2	
Art.266 (PN25)							
Temp °C	-10 / 50	150	200	250	300	350	
Pressure BAR	25	24.3	23	21.8	20	17.5	
Art. 500							
Temp °C	-10 / 50	150	200	250	300	350	400
Pressure BAR	40	34.7	30.2	28.4	25.8	24.0	23.1
Art.503							
Temp °C	-10 / 50	150	200	250	300	350	400
Pressure BAR	16	13.5	12.4	11.7	11	10.7	10.2

Materials

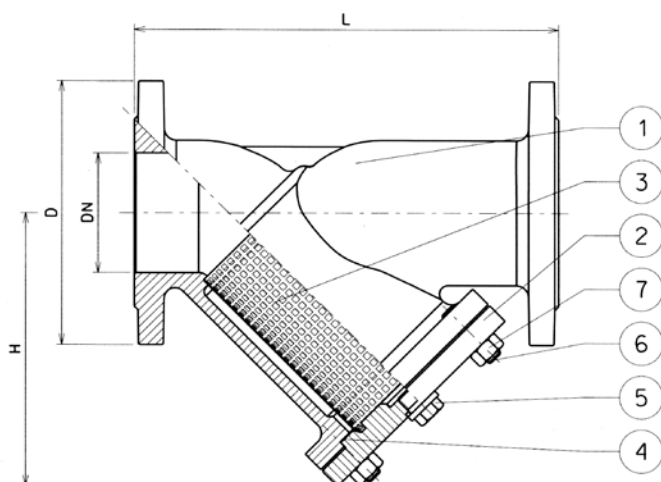
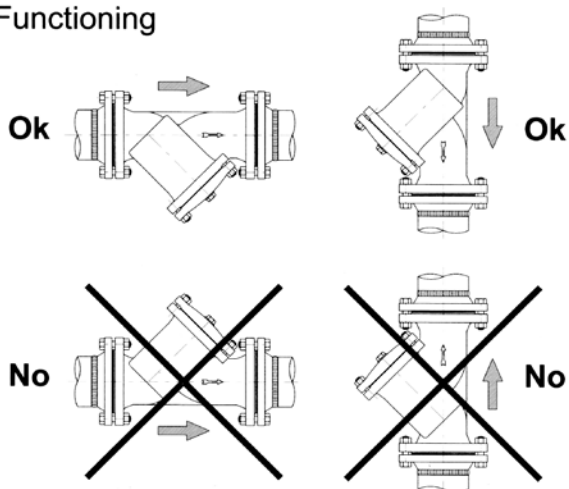
Part Name	Art. 265	Art. 266	Art. 500	Art. 503 & 500/I
1 Body	EN-GJL-250	EN-GJS-400-18-LT	GP 240 GH+N	St Steel AISI 316
2 Cover	EN-GJL-250	EN-GJS-400-18-LT	ASTM A 105	St Steel AISI 316
3 Screen	St Steel 1.4301	St Steel 1.4301	St Steel 1.4301	St Steel 1.4401
4 Gasket	Graphite + St Steel	Graphite + St Steel	Graphite + St Steel	Graphite + St Steel
5 Plug > DN65	Carbon Steel	Carbon Steel	Carbon Steel	Stainless Steel
6 Studs	Carbon Steel	Carbon Steel	Carbon Steel	Stainless Steel
7 Nuts	Carbon Steel	Carbon Steel	Carbon Steel	Stainless Steel



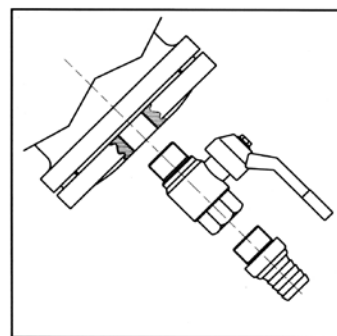


Stainless Steel & Carbon Steel Strainers

Functioning



On request



Dimensions (mm) - Art. 265/266

DN	15	20	25	32	40	50	65	80	100	125	150	200	250	300
D (mm)	95	105	115	140	150	165	185	200	220	250	285	340	405	460
L (mm)	130	150	160	180	200	230	290	310	350	400	480	600	730	850
H (mm)	75	75	90	90	110	120	140	165	220	260	300	360	470	560
Kv (m³/h)	5.3	9.5	16.5	20	33	54	95	140	201	340	526	870	1260	1735
Kg (Art. 265)	2.4	3	3.8	5.2	6.8	9	11.8	16.8	25.2	37	58	112	162	195
Kg (Art. 266 PN16)	2.6	3.4	4	5.8	7.2	9.6	13.6	17	27.6	37.2	56.6	124	160.8	189
Kg (Art. 266 PN25)	2.6	3.4	4	5.8	7.2	9.6	13.2	17.8	29	39.6	58.6	128	168	195

Dimensions (mm) - Art 500/503

DN	15	20	25	32	40	50	65	80	100	125	150	200
D (mm)	95	105	115	140	150	165	185	200	235	270	300	375
L (mm)	130	150	160	180	200	230	290	310	350	400	480	600
H (mm)	75	75	100	105	120	135	150	175	230	270	320	380
Kv (m³/h)	4.3	7.5	11.4	18	27.5	41.5	68	100.5	154.5	240	345	623
Kg (Art. 500)	3	3.8	5.6	6.9	8.3	11.4	15.5	22.4	35	50	80	157
Kg (Art. 500/l)	3	3.8	5.6	6.9	8.3	11.4	15.5	22.4	35	50	80	157
Kg (Art. 503)	2	2.6	3	4.5	5.5	7.5	9.9	13.8	19.5	23	29	46