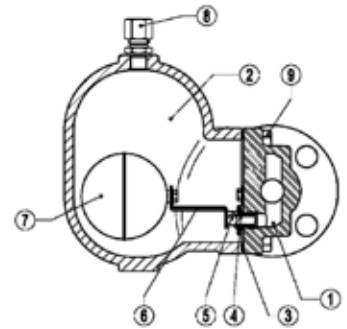


Compressed Air Ball Float Traps - FA 32

Description

FA32 series compressed air float traps are specially design for draining water from high pressure compressed air and gas lines. Applications on aftercoolers, separators and compressed air and gas mains. An air balance pipe must be fitted allowing the air trapped in the trap body to escape, avoiding obstructing of condensate flow.

Connections are flange or female screwed.



Materials

| | | |
|-------------------------------------|------------------------|---------------------------|
| 1 | Body | GP240GH / 1.0619 |
| 2 | Cover | GP240GH / 1.0619 |
| 3 | *Gasket | Stainless st. / Graphite |
| 4 * | Seat | AISI 410 / 1.4006 |
| 5 | *Valve | AISI 410 / 1.4006 |
| 6 | *Lever | AISI 304 / 1.4301 |
| 7 | *Float | AISI 304 / 1.4301 |
| 8 | ** Compression fitting | St.Steel or Steel Fe / Zn |
| 9 | Bolts | Steel 8.8 |
| * Available spare parts ** Optional | | |

| Article No. | Type | Size | Price |
|----------------|---------|------|-------------------|
| BSP | | | |
| 452331 | FA32-21 | 1" | £1,111.90 |
| 444004 | FA32-32 | 1" | £1,111.90 |
| FLANGED | | | ON REQUEST |

Flow Rate Capacity in Kgs/h

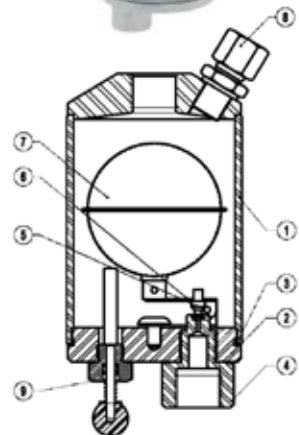
| | Size | 1 | 1.5 | 2 | 3 | 4.5 | 6 | 7 | 8 | 9 | 10 | 12 | 14 | 16 | 21 | 32 |
|----------------|----------------|-----|-----|-----|-----|-----|------|------|------|------|------|------|------|------|------|------|
| FA32-21 | 1" - 25 | 410 | 500 | 600 | 710 | 900 | 1005 | 1100 | 1150 | 1200 | 1350 | 1550 | 1640 | 1700 | 1850 | |
| FA32-32 | 1" - 25 | 240 | 280 | 335 | 400 | 500 | 590 | 610 | 690 | 700 | 745 | 850 | 900 | 920 | 1100 | 1380 |

Compressed Air Ball Float Traps - FA 16 SS

Description

FA 16 SS is a fully automatic ball float trap extremely compact in dimension and light in weight, specially design for draining water from compressed air lines. Applications on aftercoolers, separators and compressed air mains.

Connections are female screwed.



Materials

| | | |
|------------------------------------|---------------------|----------------------------------|
| 1 | Body | CF8M / 1.4408 ; AISI316 / 1.4401 |
| 2 | Cover | CF8M / 1.4408 ; AISI316 / 1.4401 |
| 3 | * O-ring | NBR |
| 4 | * Seat | AISI 316 / 1.4401 |
| 5 | * Valve | VITON |
| 6 | * Lever | AISI 304 / 1.4301 |
| 7 | * Float | AISI 304 / 1.4301 |
| 8 a) | Compression fitting | Fe / Zn 12 - ISO 2081 |
| 9 b) | Hand purging valve | AISI 304 / 1.4301 |
| * Available spare parts | | |
| a) 1/4" x 8 mm compression fitting | | |
| b) Hand purging valve | | |

| Article No. | Size | Price |
|---------------|------|----------------|
| BSP | | |
| 440307 | 1/2" | £245.10 |
| 443463 | 3/4" | £245.10 |

Flow Rate Capacity in Kgs/h

| | Size | 0.5 | 1 | 1.5 | 2 | 3 | 4 | 6 | 7 | 8 | 9 | 10 | 12 | 14 |
|----------------|--------------------|-----|-----|-----|-----|-----|-----|-----|-----|-----|-----|-----|-----|-----|
| FA 16SS | 1/2" - 3/4" | 120 | 145 | 180 | 190 | 230 | 250 | 300 | 330 | 340 | 360 | 380 | 400 | 430 |