



Compressed Air Ball Float Traps - FA 17/G

Description

FA 17/G is a fully automatic ball float trap extremely compact in dimension and light in weight, specially design for draining water from compressed air lines. Applications on aftercoolers, separators and compressed air mains.

Connections are female screwed or flanged.

DN15 - DN20

DN40 - DN50

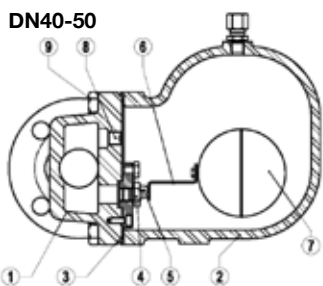
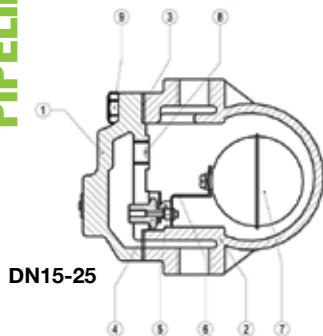
Materials

	DN15-25	DN40-50
1 Body	GJS-400-15 / 0.7040	GJS-400-15 / 0.7040
2 Cover	GJS-400-15 / 0.7040	GJS-400-15 / 0.7040
3* Gasket	St.Steel / Graphite	St.Steel / Graphite
4* Seat	AISI 304 / 1.4301	AISI 304 / 1.4301
5* Valve	VITON	AISI 304 / 1.4301
6* Lever	AISI 304 / 1.4301	AISI 304 / 1.4301
7* Float	AISI 304 / 1.4301	AISI 304 / 1.4301
8 Plug	A105 / 1.0432	St. Steel
9 Bolts	Steel 8.8	Steel 8.8

* Available spare parts

Article No.

BSP	Size	Price
445749	1/2"	£238.80
410596	3/4"	£238.80
PN16		
452326	15	£275.10
452327	20	£293.40
452328	40	£1,017.90
452329	50	£1,150.90



Flow Rate Capacity in Kgs/h

Size	0.5	1	1.5	2	3	4	6	7	8	9	10	12	14
1/2" - 3/4"	120	145	180	190	230	250	300	330	340	360	380	430	430
40 - 50	370	515	605	720	900	1005	1250	1340	1500	1560	1620	1750	1890



Compressed Air Ball Float Traps - FA 20

Description

FA20 series compressed air float traps are specially design for draining water from high pressure compressed air and gas lines. Applications on aftercoolers, separators and compressed air and gas mains.

An air balance pipe must be fitted allowing the air trapped in the trap body to escape, avoiding obstructing of condensate flow.

Connections are flange or female screwed.

Materials

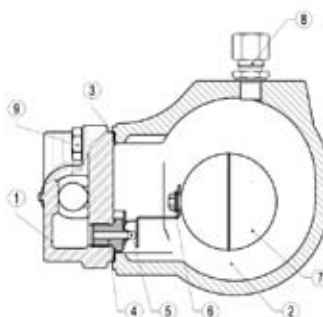
1 Body	GP240GH / 1.0619
2 Cover	GP240GH / 1.0619
3* Gasket	Stainless st. / Graphite
4* Seat	AISI 410 / 1.4006
5* Valve	AISI 410 / 1.4006
6* Lever	AISI 304 / 1.4301
7* Float	AISI 304 / 1.4301
8** Compression fitting	St.Steel or Steel Fe / Zn
9 Bolts	Steel 8.8

* Available spare parts

** Optional

Article No.

BSP	Size	Price
441560	1/2"	£502.70
452330	3/4"	£540.00
446128	1"	£587.20
FLANGED	ON REQUEST	



Flow Rate Capacity in Kgs/h

Size	0.5	1	1.5	2	3	4.5	6	7	8	9	10	12	14	16	21
FA20 15 - 25	75	100	125	155	180	220	255	275	290	305	320	345	375	420	480