

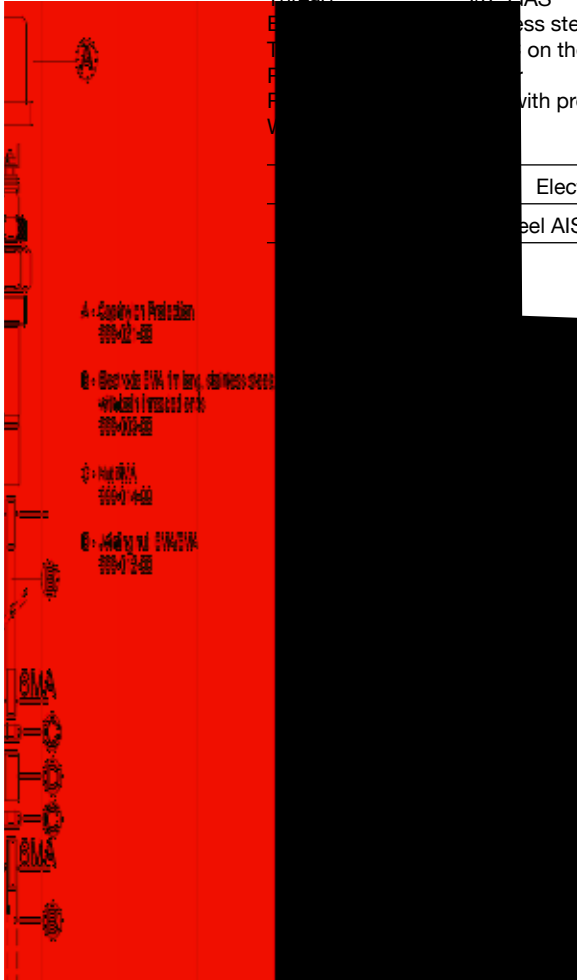
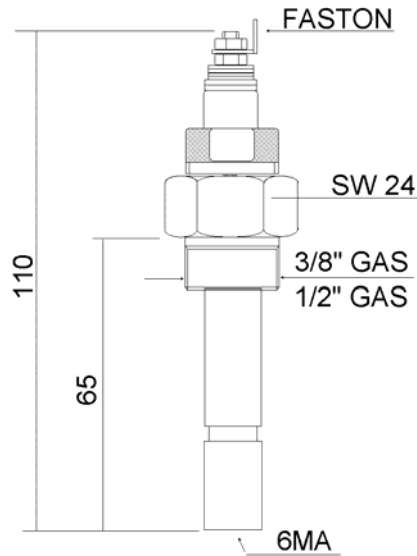


Single Electrode-holder - 395

Technical Data

Sensor working: conductive
 Probe body: stainless steel – AISI 303
 Insulator: allumina (Al₂O₃)
 Thread: 3/8" GAS
 Electrode: stainless steel AISI 303 ø 6MA L=65mm
 Protection: on the electrode
 Option: with protection (option)

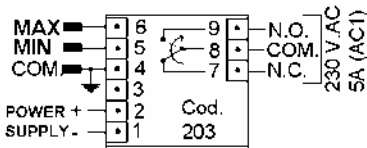
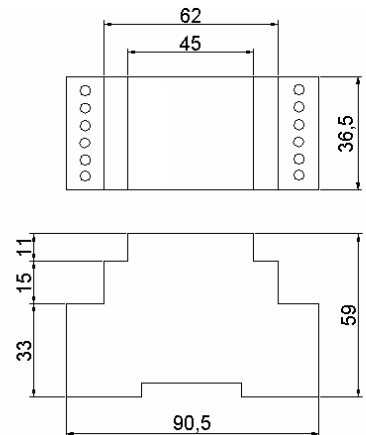
Electrode	Thread	Price
stainless steel AISI 303 L= 1000mm	1/2" stainless steel	£96.30



DIN Rail Conductivity Level Switch - 203

Technical Data

Electric wiring: by screw
 Protection class: IP30
 Internal components: surface mounting technology (SMD)
 Front led lamps: green: power supply
 red: switch status
 Sensitivity: standard 10µS - 10.000µS
 on request 1µS - 20µS
 on request 0,3µS - 2µS
 Electrolysis phenomena: absent in all models
 Contact: N.O. – 5 A – 230V a.c.
 Power supply: 24 or 110 or 230 V a.c.
 Frequency: 50 – 60 Hz
 Absorption: 5 VA
 Weight: 190g



Article No.	Integral Resistivity	Integral Sensitivity	Characteristics	Power Supply	Price
203-000-03	0-100 kΩ	10-10,000µS	standard	230V a.c.	£114.00
203-001-0x	0-10 kΩ	100-10,000µS	low sensibility	x=1 24V	ON REQUEST
203-002-0x	50 k - 1 MΩ	100-10,000µS	high sensibility	x=2 110V	ON REQUEST
203-003-0x	500 k - 3 MΩ	100-10,000µS	high sensibility	x=3 230V a.c. x=4 24 Vd.c.	ON REQUEST