

Thermodynamic Steam Traps - DT 40S

Description

Thermodynamic DT40S disc steam traps are compact and lightweight-easy to install traps, excellent for high pressure systems, including steam tracing applications. These traps have only one moving part and offer a wide operating range, without adjustment. Connections are female screwed. **Includes bimetallic air eliminator.**

Materials

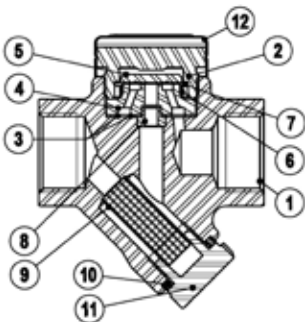
- | | | |
|-----|----------------|-----------------|
| 1 | Body | AISI 420 |
| 2 | Cover | AISI 304 |
| 3 * | Disc | AISI 420 |
| 4 * | Strainer | AISI 304 |
| 5 * | Gasket | ST.ST./graphite |
| 6 | Strainer Cap | AISI 304 |
| 7 * | Insulating Cap | AISI 304 |
- * Available Spare Parts

Article no. BSP	Size	Price
445771	3/8"	£133.90
445703	1/2"	£133.90
440091	3/4"	£174.80
441260	1"	£243.90
FLANGED		ON REQUEST

Flow Rate Capacity in Kg/h

Model	Size	DIFFERENTIAL PRESSURE (bar)												
		0.5	1	3	6	9	12	15	18	21	24	30	35	40
DT40S	3/8"	80	85	115	150	190	210	250	300	310	350	420	490	510
DT40S	1/2"	140	170	250	330	400	490	500	580	605	690	720	800	820
DT40S	3/4"	190	225	345	480	590	700	750	810	900	990	1100	1300	1390
DT40S	1"	290	350	500	700	830	995	1200	1290	1320	1500	1750	1800	1995

Recommended safety factor: continuous service = 1.2 - 1.5 ; discontinuous service = 2.



Thermodynamic Steam Traps - DT 46

Description

Thermodynamic DT46 disc steam traps are compact and lightweight-easy to install traps, excellent for high pressure systems, including steam tracing applications. The insulation cover insures a consistent operation and makes it particularly suitable for those applications where the weather conditions, such as rain and wind, may affect the normal operation. These traps have only one moving part and offer a wide operating range, without adjustment. Connections are female screwed or flanged.

Materials

- | | | |
|------|------------------|-----------------------|
| 1 | Body | P250GH / 1.0460 |
| 2 | Cover | AISI 304 / 1.4301 |
| 3 * | Gasket | StainlessSt./Graphite |
| 4 * | Seat | Hardened St.Steel |
| 5 * | Valve disc | Hardened St.Steel |
| 6 * | Bimetal ring | Bimetal |
| 7 * | Washer support | AISI 304 / 1.4301 |
| 8 * | Tube | AISI 304 / 1.4301 |
| 9 * | Strainer screen | AISI 304 / 1.4301 |
| 10 * | Gasket | StainlessSt./Graphite |
| 11 | Plug | A105 / 1.0432 |
| 12 | Insulation cover | AISI 304 / 1.4301 |
- * Available Spare Parts

Article no. BSP	Article no. Socket Weld	Size	Price
551363	483547	1/2"	£151.40
551364	483548	3/4"	£179.90
551365	483549	1"	£262.70
FLANGED			ON REQUEST

Flow Rate Capacity in Kg/h

Model	Size	DIFFERENTIAL PRESSURE (bar)													
		1.5	3	5	7	9	12	15	18	21	24	30	35	42	46
DT 46 Hot	1/2" - 1"	70	100	130	175	190	200	225	240	250	270	290	300	310	320
DT 46 Cold	1/2" - 1"	170	230	300	335	390	435	485	520	575	600	645	695	740	800