

Pneumatic Angle Type Interception Valve - PAV 21



Description

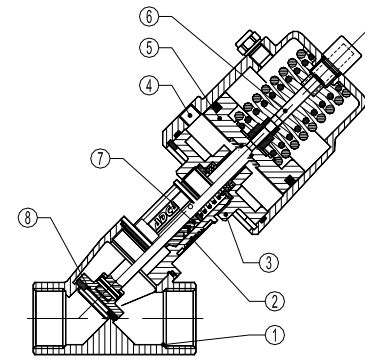
The PAV series angle seat interception valves are designed for steam, gas and other fluids used on the process industry and they are the effective response to fluid interception when flexibility and cost is requested. Connections are female screwed.

Article no. BSP	Size	Price
PPI-63	1/2"	£313.70
	3/4"	£329.40
	1"	£351.80
PPI-90	1 1/4"	£488.50
	1 1/2"	£526.60
	2"	£609.50

Materials

1	Valve Body	CF8M / 1.4408
2	Bonnet	CF8 / 1.4308
3	Actuator Flange	CF8 / 1.4308
4	Actuator Cover	CF8 / 1.4308
5	Piston	Aluminium
6	Indication Stem	Plastic
7 *	Packing	PTFE / GR
8 *	Valve Plug	1.4401 / PTFE-GR

* Available spare parts



Flow Rate Coefficients

	DN15	DN20	DN25	DN32	DN40	DN50
Kvs	4.8	9.5	18	23.2	32.7	52.6

Kvs in m3/h , see data sheet IS PV10.00 E ; For conversion Kvs = Cv(US) x 0,855

Max. Permissible Press. drop In bar

Normally closed valve (fluid to close)
Reverse action actuator (air signal to open)

Act Type	Pressure	DN15	DN20	DN25	DN32	DN40	DN50
PPI-63	5 - 8 bar	16	16	16	-	-	-
PPI-63	6 - 8 bar	16	16	16	-	-	-
PPI-63	7 - 8 bar	16	16	16	-	-	-
PPI-90	5 - 8 bar	-	-	-	16	-	-
PPI-90	6 - 8 bar	-	-	-	16	16	-
PPI-90	7 - 8 bar	-	-	-	16	16	16

Note: Waterhammer free design

Max. Permissible Press. drop In bar

Normally closed valve (fluid to open)
Reverse action actuator (air signal to open)

Act Type	Pressure	DN15	DN20	DN25	DN32	DN40	DN50
PPI-63	5 - 8 bar	16	16	16	-	-	-
PPI-90	5 - 8 bar	-	-	-	16	16	10

Note: Waterhammer free design

Pneumatic Control Valves - PPV25 (On/Off)

V25 globe valves series with PPI series linear piston actuators



Description

The PPV25 on-off valves are single seated, two-way body constructed with in-line straight connections. The PPI pneumatic actuators are of the piston type.

Their wide application ranges allows the use of this valve with the most common process fluids such as water, superheated water, steam, air, gas and other fluids.

Stainless steel option available on request.

Main Features

- Single seated, two ways, direct or reverse action valve.
- Soft sealing as standard.
- Actuator housing 360° rotation (clockwise).

Flow Rate Coefficients

	DN15	DN20	DN25	DN32	DN40	DN50
Kvs	5.2	7.3	11.7	18	27	43

Article no. PN16	Size	Price
PPV25 with PPI 63 Actuator	15	£576.20
	20	£605.30
	25	£624.70
	32	£655.70
	40	£733.30
	50	£795.40

PPI 90 actuator available on request.

