

## 3 Way Electric & Pneumatic Control Valves - V403

V403 globe valves series with linear actuators PA or EL series



CONTROL VALVES

### Description

The PV403 control valves are three-way valves for mixing or diverting service. The PA pneumatic actuator is rubber diaphragm and multi-springs. Its action can be DA-direct action (air to close) or RA-reverse action (air to open). The V403 valves have been designed to assure an accurate control in any process condition. Their wide range of applications allows the use of this valve with the most common process fluids such as water, superheated water, diathermic oil, steam, air, gas and other non corrosive fluids.



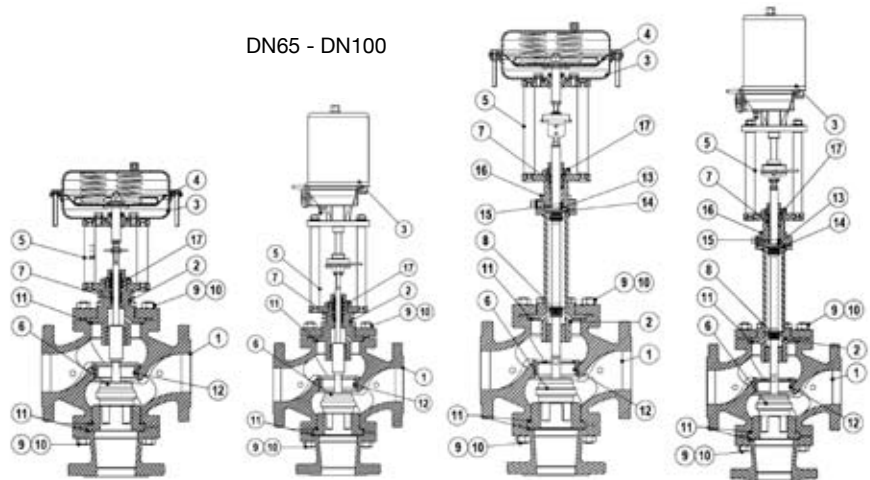
### Materials

1	Valve Body	WCB / 1.0619
2	Bonnet	CF8 / 1.4308
3	Actuator (pneumatic)	S235JRG2 / 1.0038
	Actuator (Stainless steel)	AISI304 / 1.4301
3	Actuator (Elect.)	Aluminium
4*	Diaphragm	NBR 70
5	Yoke (Steel)	C45E / 1.1191
	Yoke (Stainless steel)	AISI304 / 1.4301
6*	Valve plug	PTFE/GR ; St.Steel
7*	Standard packing	PTFE/GR
8*	Metal bellows	AISI316Ti / 1.4571
9	Studs	34CrNiMo6 / 1.6582
10	Nuts	Steel 8.8
11*	Gasket	St.Steel / Graphite
12*	Seat	Stainless Steel
13*	Gasket	St.Steel / Graphite
14*	Gasket	St.Steel / Graphite
15	Straight pin	Stainless Steel
16	Bolts	Steel 10.9
17	Lock nut	Stainless Steel
* Available spare parts		

Price  
**ON REQUEST**

DN15 - DN50

DN65 - DN100



### Valve Body Limiting Conditions

V403S - PN16*		V403I - PN16*		V403S - PN40*		V403I - PN40*	
Allow Press.	Related Temp.	Allow Press.	Related Temp.	Allow Press.	Related Temp.	Allow Press.	Related Temp.
16 bar	-10/50°C	16 bar	-10/50°C	40 bar	-10/50°C	40 bar	-10/50°C
13.3 bar	200°C	13.4 bar	200°C	33.3 bar	200°C	33.7 bar	200°C
12.1 bar	250°C	12.7 bar	250°C	27.6 bar	300°C	29.7 bar	300°C
11 bar	300°C	11.8 bar	300°C	25.7 bar	350°C	28.5 bar	350°C
10.2 bar	350°C	11.4 bar	350°C	23.8 bar	400°C	27.4 bar	400°C

Note: Maximum temperature limit to the valve packing selected. Valves with soft seat, maximum allowable temperature: 200°C

\* Rating according to EN1092-1:2007, \*\* EN 1092-2:2007

### Flow Rate Coefficients

	DN15	DN20	DN25	DN32	DN40	DN50	DN65	DN80	DN100
Kvs	20	20	20	20	20	20	63	100	160

Kvs in m3/h, see data sheet IS PV10.00 E; For conversion Kvs = Cv(US) x 0,855

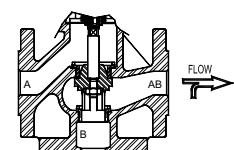
### Valve Stroke in mm

	DN15	DN20	DN25	DN32	DN40	DN50	DN65	DN80	DN100
Stroke	4	6.3	10	16	25	40	30	30	30

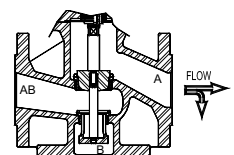
### FAILURE POSITION DEPENDING ON VALVE DUTY

Mixing valve		Diverting valve	
Dir. Action Actuator a)	Rev.Action Actuator b)	Dir. Action Actuator a)	Rev.Action Actuator b)
Port A to AB Closes	Port B to AB Closes	Port AB to B Closes	Port AB to A Closes

a) Retracted stem on air failure b) Extended stem on air failure



Mixing valve



Diverting valve