



3 Way Electric & Pneumatic Control Valves - V253G

V253G globe valves series with linear actuators PA Series



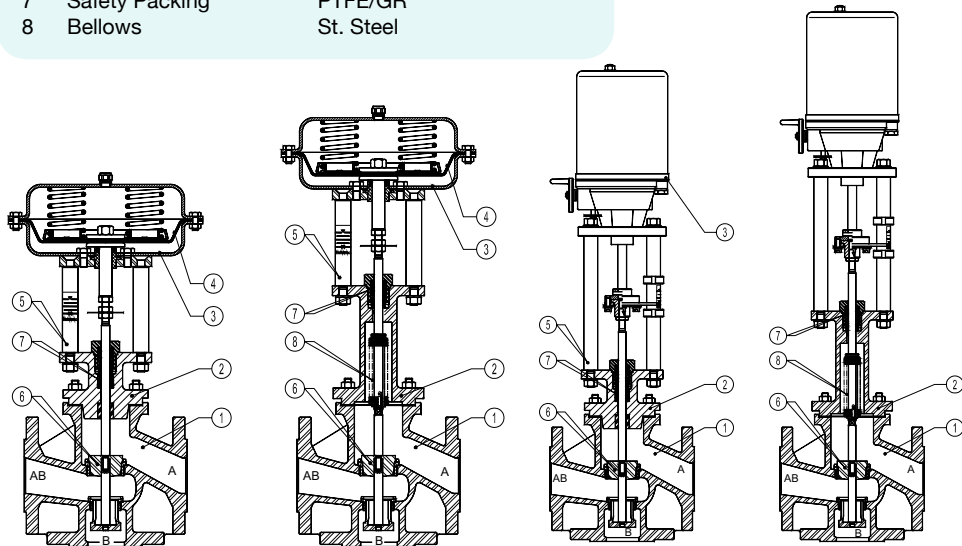
Description

The V253G control valves are three-way valve body both for mixing service or diverting service. The PA pneumatic actuator is rubber diaphragm and multispings. Its action can be DA -direct action (air to close) or RA-reverse action (air to open). The V253G valves have been designed to assure an accurate control in any process condition. Their wide application ranges allows to use this valve with the most common process fluids such as water, superheated water, diathermic oil, steam, air, gas and other non corrosive fluids.

Materials

1	Valve Body	GJS-400-18-LT / 0.7033
2	Bonnet	GJS-400-18-LT / 0.7033
3	Actuator (Steel)	S235JRG2 / 1.0038
	Actuator (Stainless steel)	AISI304 / 1.4301
4	Diaphragm	NBR 70
5	Yoke (Seel)	C45E / 1.1191
	Yoke (Stainless steel)	AISI304 / 1.4301
6	Valve Seal	AISI316 / 1.4401
7	Safety Packing	PTFE/GR
8	Bellows	St. Steel

Price
ON REQUEST



Flow Rate Coefficients

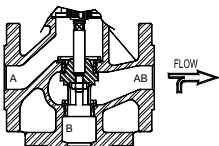
	DN15	DN20	DN25	DN32	DN40	DN50	DN65	DN80	DN100	DN125	DN150	DN200
Kvs	4	6.3	10	16	25	40	63	100	160	230	330	-

Kvs in m3/h , see data sheet IS PV10.00 E ; For conversion Kvs = Cv(US) x 0,855

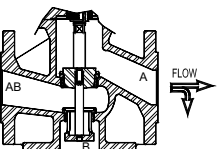
Valve Stroke (mm)

	DN15	DN20	DN25	DN32	DN40	DN50	DN65	DN80	DN100	DN125	DN150	DN200
Kvs	20	20	20	20	20	20	30	30	30	35	40	-

Perforated plug and on-off valves may have different strokes, please see literature or consult factory.



Mixing valve



Diverting valve

FAILURE POSITION DEPENDING ON VALVE DUTY

Mixing valve		Diverting valve	
Dir. Action Actuator a)	Rev.Action Actuator b)	Dir. Action Actuator a)	Rev.Action Actuator b)
Port A to AB Closes	Port B to AB Closes	Port AB to B Closes	Port AB to A Closes

- a) Retracted stem on air failure
- b) Extended stem on air failure