



## Pneumatic Control Valves - PV25S

### Globe Control Valves with Linear Actuators PA Series

#### Description

The PV25 control valves are single seated, two-way body constructed with in-line straight connections. The PA pneumatic actuator is rubber diaphragm and multisprings. Its action can be DA -direct action (air to close) or RA-reverse action (air to open). The PV25 valves have been designed to assure an accurate control in any process condition. Their wide application ranges allows to use this valve with the most common process fluids such as water, superheated water, steam, air, gas and other non corrosive fluids (group 1).

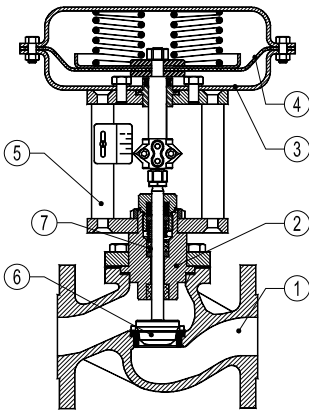
#### Part References

V25S PN16 Control Valves with Equal-Percentage Plug, Pneumatic Fail Close Actuator, 998 Atex Electro-Pneumatic Positioner & P10 Filter Regulator.  
Standard part numbers. Alternative Closing Pressures available.

Size	Actuator Type with 0.4÷2.0 Control Signal	KVS (M3/H)	Max Pressure (BARG)	Article No. <b>PN16</b>	Price
DN15	PA-205	3.8	12.0	<b>554119</b>	<b>£2,663.50</b>
DN20	PA-205	5.1	12.0	<b>554120</b>	<b>£2,683.50</b>
DN25	PA-280	9.4	9.0	<b>554121</b>	<b>£2,698.00</b>
DN32	PA-280	15.4	16.0	<b>554122</b>	<b>£2,878.00</b>
DN40	PA-280	22.2	12.0	<b>554123</b>	<b>£2,935.00</b>
DN50	PA-340A	40.1	18.0	<b>554124</b>	<b>£3,178.00</b>
DN65	PA435B	63.4	10.0	<b>554125</b>	<b>£4,223.00</b>
DN80	PA435B	89.7	8.0	<b>554126</b>	<b>£4,461.00</b>
DN100	PA435B	136.7	6.0	<b>554127</b>	<b>£4,850.50</b>

**ELECTRICALLY ACTUATED**

**ON REQUEST**



#### Materials

	<b>VG25G</b>	<b>V25S</b>
1 Valve Body	GJS-400-18-LT / 0.7033	ASTM A216WCB / 1.0619; GP240GH / 1.0619
2 Bonnet	CF8 / 1.4308	CF8 / 1.4308
3 Actuator (Steel)	S235JRG2 / 1.0038	S235JRG2 / 1.0038
Actuator (SS)	AISI304 / 1.4301	AISI304 / 1.4301
4 Diaphragm	NBR 70	NBR 70
5 Yoke (Seel)	C45E / 1.1191	C45E / 1.1191
Yoke (SS)	AISI304 / 1.4301	AISI304 / 1.4301
6 Valve plug	PTFE/GR ; St.Steel	PTFE/GR ; St.Steel
7 Standard packing	PTFE/GR	PTFE/GR

#### Flow Rate Coefficients

	DN15	DN20	DN25	DN32	DN40	DN50	DN65	DN80	DN100
Kvs	3.8	5.1	9.4	15.4	22.2	40.1	63.4	89.7	136.7

Kvs in m3/h , see data sheet IS PV10.00 E ; For conversion Kvs = Cv(US) x 0,855

#### Valve Stroke (mm)

	DN15	DN20	DN25	DN32	DN40	DN50	DN65	DN80	DN100
Stroke	20	20	20	20	20	20	30	30	30

Perforated plug and on-off valves may have different strokes, please see literature or consult factory.

Valve body limiting conditions V25G - PN16		Valve body limiting conditions V25S - PN25		Valve body limiting conditions V25S - PN40	
Allowable Pressures	Related Temperature	Allowable Pressures	Related Temperature	Allowable Pressures	Related Temperature
16 bar	-10 /120°C	25 bar	-10 /50°C	40 bar	-10 /50°C
14.7 bar	200°C	19.4 bar	200°C	30.2 bar	200°C
13.9 bar	250°C	17.8 bar	250°C	25.8 bar	300°C
12.8 bar	300°C	16.1 bar	300°C	24 bar	350°C
11.2 bar	350°C	15 bar	350°C	23.1 bar	400°C

Note: Maximum temperature limited to the valve packing selected.  
Valves with soft seat , maximum allowable temperature : 200°C