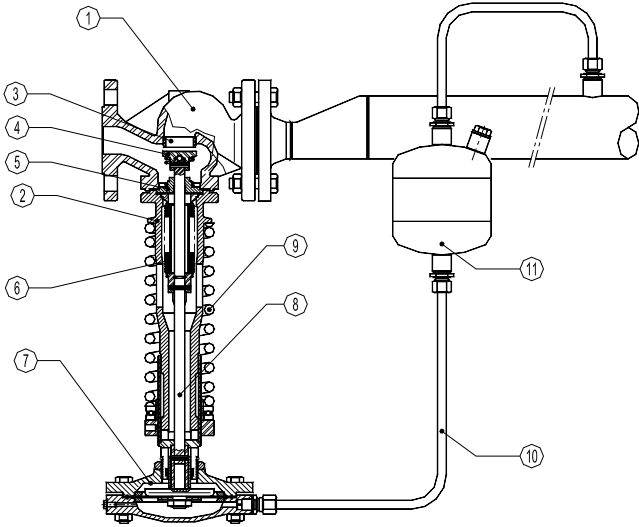




## Pressure Reducing Valve - RP45S Flanged

### Description

The ADCA RP45 series pressure reducing valves are single seat bellows sealed controllers, operating without auxiliary energy, designed for use on steam, compressed air, industrial inert gases and liquids compatible with the construction. They are particularly suitable for reducing steam pressure in all energy and process systems where pressures should be kept constant.



### Materials

1	Valve body RP45G and S	A 216 WCB / 1.0619
1	Valve body RP45I	CF8M / 1.4408
2	Piston body RP45G and S	GJS-400-15 / 0.7040
2	Piston body RP45I	GJS-400-15 / 0.7040 Nickel plated
3	Valve seat	HARDENED ST.STEEL
4	Valve disc	HARDENED ST.STEEL
4 *	Soft valve disc	AISI304/1.4301 ;NBR (PTFE/GR,etc)
5	Guide	AISI 304 / 1.4301
6 *	Bellows	AISI 316 Ti / 1.4571
7 *	Diaph.chamber RP45G/S	GJL-250 / 0.6025
7 *	Diaph. Chamber RP45I	CF8M / 1.4408
8	Spindle	AISI 304 / 1.4301
9	Regulating spring	SPRING STEEL
10 *	Impulse line RP45G and S	COPPER
10 *	Impulse line RP45I	AISI 316 / 1.4401
11 *	Cond. vessel a) RP45S	S235JRG2 / 1.0038
11 *	Cond. vessel a) RP45I	AISI 316 / 1.4401

\* Available spare parts.

a) Not necessary when in operation with low temperature compressed air or water.

### RP45S - PN16

ACTUATOR TYPE	RANGE BAR	DN15 Sp.Nr.66	DN20 Sp.Nr.66	DN25 Sp.Nr.66	DN32 Sp.Nr.66	DN40 Sp.Nr.66
A-4	0.15 - 0.49	<b>SPECIAL</b>	<b>SPECIAL</b>	<b>SPECIAL</b>	<b>SPECIAL</b>	<b>SPECIAL</b>
		Sp.Nr.60	Sp.Nr.60	Sp.Nr.60	Sp.Nr.60	Sp.Nr.60
A-4	0.5-0.99	<b>£2,153.00</b>	<b>£2,161.00</b>	<b>£2,167.10</b>	<b>£2,262.00</b>	<b>£2,313.50</b>
A-3	1.0-1.6	<b>£1,933.00</b>	<b>£1,941.00</b>	<b>£1,882.50</b>	<b>£2,042.00</b>	<b>£2,092.50</b>
A-2	1.7-3.8	<b>£1,709.00</b>	<b>£1,717.00</b>	<b>£1,723.10</b>	<b>£1,818.00</b>	<b>£1,868.50</b>
A-21	3.9-5.5	<b>£1,824.50</b>	<b>£1,782.00</b>	<b>£1,788.00</b>	<b>£1,977.00</b>	<b>£1,933.00</b>
A-1	5.6-8.2	<b>£1,598.00</b>	<b>£1,606.00</b>	<b>£1,612.10</b>	<b>£1,707.00</b>	<b>£1,757.50</b>
A-11	8.3-13.0	<b>£1,648.50</b>	<b>£1,656.50</b>	<b>£1,662.50</b>	<b>£1,757.50</b>	<b>£1,808.00</b>
ACTUATOR TYPE	RANGE BAR	DN50 Sp.Nr.67	DN65 Sp.Nr.67	DN80 Sp.Nr.68	DN100 Sp.Nr.69	
A-4	0.15 - 0.49	<b>SPECIAL</b>	<b>SPECIAL</b>			
A-4	0.15 - 0.45			<b>SPECIAL</b>	<b>SPECIAL</b>	
		Sp.Nr.61	Sp.Nr.61	Sp.Nr.62	Sp.Nr.63	
A-4	0.5-0.99	<b>£2,720.10</b>	<b>£2,888.00</b>			
A-4	0.46-0.99			<b>£3,424.50</b>	<b>£3,947.20</b>	
A-3	1.0-1.9	<b>£2,500.10</b>	<b>£2,668.00</b>	<b>£3,204.50</b>	<b>£3,727.50</b>	
A-2	2.0-4.2	<b>£2,276.10</b>	<b>£2,445.00</b>			
A-2	2.0-5.0			<b>£2,980.50</b>		
A-2	2.0-6.0				<b>£3,503.20</b>	
A-21	4.3-6.9	<b>£2,341.00</b>	<b>£2,508.20</b>			
A-21	5.1-8.9			<b>£2,507.50</b>		
A-21	6.1-13				<b>£3,568.00</b>	
		Sp.Nr.64	Sp.Nr.64	Sp.Nr.65		
A-1	7.0-8.5	<b>£2,165.10</b>	<b>£2,332.60</b>			
A-11	8.6-13	<b>£2,215.50</b>	<b>£2,383.10</b>			
A-1	9.0-13			<b>£2,869.50</b>		

Prices include water seal pot and copper tube.