

## Pressure Reducing Valve - RP45S Threaded



PRESSURE REDUCING VALVES



ACTUATOR TYPE	RANGE BAR	1/2"	3/4"	1"
		Sp.Nr.66	Sp.Nr.66	Sp.Nr.66
A-4	0.15 - 0.49	<b>SPECIAL</b>	<b>SPECIAL</b>	<b>SPECIAL</b>
		Sp.Nr.60	Sp.Nr.60	Sp.Nr.60
A-4	0.5-0.99	<b>£1,790.50</b>	<b>£1,794.50</b>	<b>£1,800.00</b>
A-3	1.0-1.6	<b>£1,570.50</b>	<b>£1,574.50</b>	<b>£1,580.00</b>
A-2	1.7-3.8	<b>£1,346.50</b>	<b>£1,350.50</b>	<b>£1,356.00</b>
A-21	3.9-5.5	<b>£1,411.00</b>	<b>£1,415.00</b>	<b>£1,420.50</b>
A-1	5.6-8.2	<b>£1,235.50</b>	<b>£1,239.50</b>	<b>£1,245.00</b>
A-11	8.3-13.0	<b>£1,286.00</b>	<b>£1,290.00</b>	<b>£1,295.50</b>

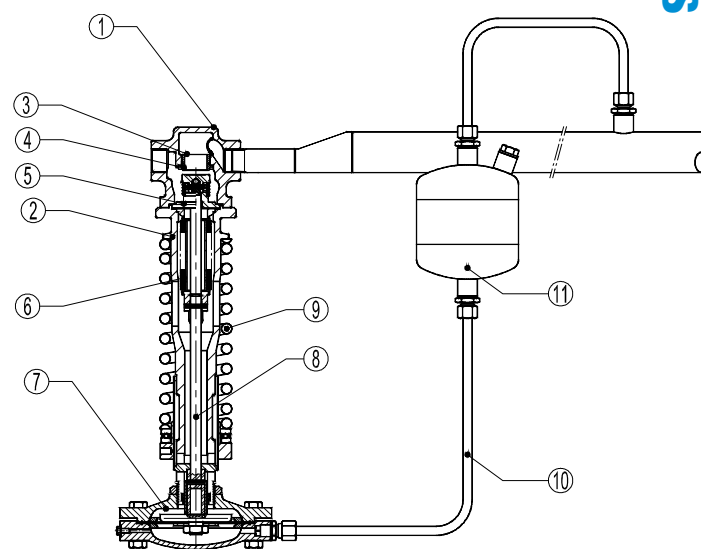
Prices include water seal pot and copper tube.

### Materials

1 Valve body	RP45S A 216 WCB / 1.0619
1 Valve body	RP45I CF8M / 1.4408
2 Piston body	RP45S GJS-400-15 / 0.7040
2 Piston body	RP45I GJS-400-15 / 0.7040 Nickel plated
3 Valve seat	HARDENED ST.STEEL
4* Valve disc	HARDENED ST.STEEL
4* Soft valve disc	AISI304/1.4301 ;NBR (PTFE/GR,etc)
5 Guide	AISI 304 / 1.4301
6* Bellows	AISI 316 Ti / 1.4571
7* Diaph.chamber RP45S	GJL-250 / 0.6025
7* Diaph. Chamber RP45I	CF8M / 1.4408
8 Spindle	AISI 304 / 1.4301
9 Regulating spring	SPRING STEEL
10* Impulse line	RP45S COPPER
10* Impulse line	RP45I AISI 316 / 1.4401
11* Cond. vessel a) RP45S	S235JRG2 / 1.0038
11* Cond. vessel a) RP45I	AISI 316 / 1.4401

\* Available spare parts.

a) Not necessary when in operation with low temperature compressed air or water.



### Limiting Conditions

	RP45G	RP45S	RP45I	RP45GT	RP45ST	RP45IT	RP45GN*	RP45SN*	RP45IN*
Body design conditions	PN16	PN40	PN40	PN16	PN40	PN40	PN16	PN40	PN40
Max.upstream pressure	13 bar	25 bar	25 bar	13 bar	25 bar	25 bar	13 bar	25 bar	25 bar
Max.downstream pressure **	13 bar	13 bar	13 bar	13 bar	13 bar	13 bar	13 bar	13 bar	13 bar
Min.downstream pressure	0,15 bar	0,15 bar	0,15 bar	0,15 bar	0,15 bar	0,15 bar	0,15 bar	0,15 bar	0,15 bar
Max.operating temperature	200°C	250°C	250°C	200 °C	220 °C	220 °C	90 °C	90 °C	90 °C
Max.reducing ratio	25:1	25:1	25:1	25:1	25:1	25:1	10:1	10:1	10:1
Rangeability	10:1	10:1	10:1	10:1	10:1	10:1	10:1	10:1	10:1
Max.cold hydraulic test	24 bar	25 bar	25 bar	24 bar	25 bar	25 bar	24 bar	25 bar	25 bar
Max.hydr. factory valve body test	24 bar	60 bar	60 bar	24 bar	60 bar	60 bar	24 bar	60 bar	60 bar

\*Suffix N: - a maximum turndown ratio 10:1 should be observed. Other soft materials on request.

\*\* Others on request with bellows or piston actuator