

Pilot Operated Pressure Reducing Valves - PRV47 (Steel) PRV47I (St.Steel)



Description

The ADCA PRV47 pilot operated pressure reducing valves are designed for use on steam, compressed air, nitrogen and other gases compatible with the construction and they can be installed on pressure reducing stations throughout all industries. Connections are flanged or threaded.

Installation

Installation instructions are available (IMI-PRV47) and typical assembling drawing. Special assembling design may be produced on request.

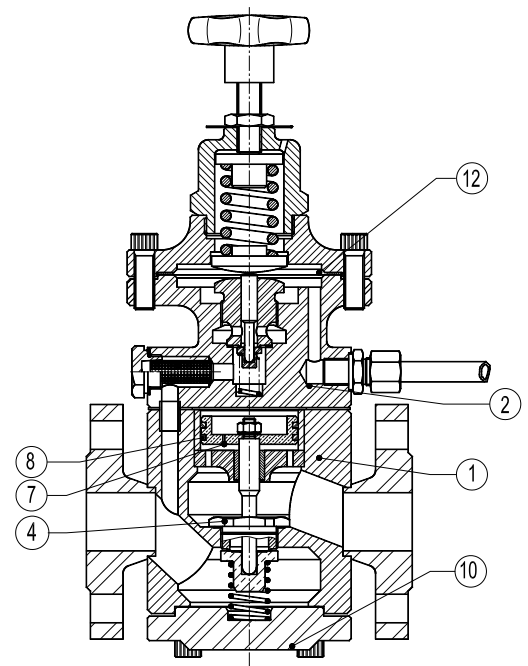


Size	Article no.	Price
PN40		
DN15 - PN40	483240*	£1,554.30
DN20 - PN40	483241*	£1,640.30
DN25 - PN40	483242*	£1,846.90
DN32 - PN40	483243*	£2,093.70
DN40 - PN40	483244*	£2,490.50
DN50 - PN40	483245*	£2865.40
BSP		
DN15 - BSP	483246*	£1,355.00
DN20 - BSP	483247*	£1,461.10
DN25 - BSP	483248*	£1,578.10
DN32 - BSP	483249*	£1,828.60
DN40 - BSP	483250*	£2,216.30
DN50 - BSP	483251*	£2,578.30
UPTO 4"		ON REQUEST
EXTERNAL COPPER SENSING LINE		£50.00
INTERNAL STAINLESS STEEL SENSING LINE		£234.50

* Suffix with -
G = Green Spring 0.35 - 2.0 Barg
B = Blue Spring 1.5 - 5.0 Barg
R = Red Spring 3.5 - 8.5 Barg
L = Black Spring 7.0 - 17.0 Barg

Materials

1	Valve Body	S355J2G3 / 1.0570 ; P250GH / 1.0460
2	Pilot Valve Body	CF8 / 1.4308
4*	Main Valve Seat	AISI316 / 1.4401
5*	Main Valve	Hardened St. steel
7*	Piston	Bronze B62 / ASTMB148.97
8*	Piston Rings	Bronze / FKM / EPDM / NBR
10	Bottom Cover	S355J2G3 / 1.0570
12*	Diaphragm	AISI301 / 1.4310
* Available spare parts		



Pressure Ranges in bar

SPRING COLOUR	GREEN W/1 Diaphragm	BLUE W/1 Diaphragm	RED W/2 Diaphragms	BLACK W/2 Diaphragms
Red. Pressure	0,07 to 0,5 bar *	1,5 to 5,5 bar **	3,5 to 8,5 bar **	7 to 17 bar **
Red. Pressure	0,35 to 2 bar **	/	/	/

* With low pressure top; **Standard diaphragm.