



Pressure Reducing Valve - PRV 25/2SG

Direct Acting, Forged Steel Body with Soft Seat for Steam upto 180°C



Description

The ADCA PRV25/2S series direct acting pressure reducing valves are designed for use on steam, compressed air and other gases. They are suitable for reducing steam pressure at the point of use on laundry machines, dyeing, food industries, sterilizers, etc.

Connections are female screwed or flanged.

Pressure Ranges

Spring colour	Blue*	Yellow**	Green	Red
Red.Press. bar	0.35 – 1.7	0.14 – 1.7	1.4 – 4.0	3.5 – 8.6

*Applicable only on the PRW ; ** Applicable only on the PRV Where control spring ranges overlap, always use the lower range.

Article no. BSP	Size	Downstream Pressure Range BAR	Price
443528	1/2"	0,14-1,7	£459.10
443766	3/4"	0,14-1,7	£486.60
440073	1"	0,14-1,7	£516.10
443814	1/2"	1,4 - 4	£459.10
480408	3/4"	1,4 - 4	£486.60
443915	1"	1,4 - 4	£516.10
443815	1/2"	3,5 - 8,6	£459.10
443411	3/4"	3,5 - 8,6	£486.60
443743	1"	3,5 - 8,6	£516.10
METAL SEAT	For higher temperatures		ON REQUEST
FLANGED			ON REQUEST



Pressure Reducing Valve - PRV 25 IG

Direct Acting, Stainless Steel (CF8M) with Soft Seat for Steam upto 180°C



Description

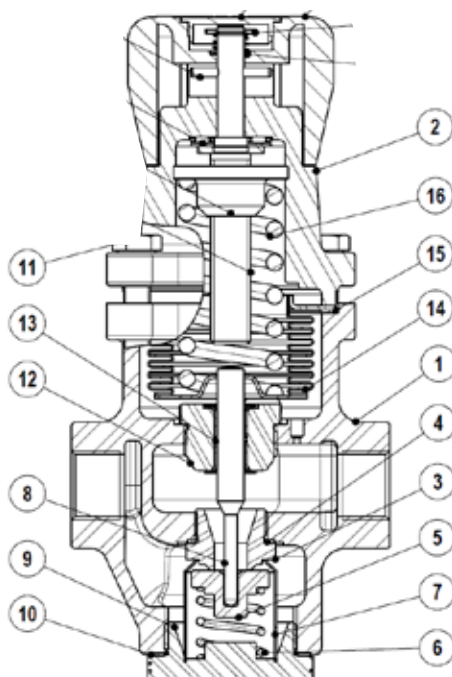
The ADCA PRV25I series direct acting pressure reducing valves are designed for use on steam, compressed air and other gases. They are suitable for reducing steam pressure at the point of use on laundry machines, dyeing, food industries, sterilizers, etc.

Connections are female screwed or flanged.

Pressure Ranges

Spring colour	Blue	Yellow	Green	Red
Red.Press. bar	0.35 – 1.7	0.14 – 1.7	1.4 – 4.0	3.5 – 8.6

Article no. BSP	Size	Downstream Pressure Range BAR	Price
441581	1/2"	0,14-1,7	£679.80
348581	3/4"	0,14-1,7	£711.40
444620	1"	0,14-1,7	£917.20
444246	1/2"	1,4 - 4	£679.80
452093	3/4"	1,4 - 4	£711.40
452087	1"	1,4 - 4	£917.20
444245	1/2"	3,5 - 8,6	£679.80
444054	3/4"	3,5 - 8,6	£711.40
480360	1"	3,5 - 8,6	£917.20
METAL SEAT	For higher temperatures		ON REQUEST
FLANGED			ON REQUEST



Materials

	PRV 25/2SG	PRV 25IG
1	Valve Body	P250GH / 1.0460
2	Cover	A216WCB / 1.0619
3*	Seat	CF8M / 1.4408
4*	Gasket	AISI 316 / 1.4401
5*	Valve	Copper
5.1*	O-ring	Hardened St.steel
6*	Valve Return Spring	NBR
7*	Strainer Screen	AISI 302 / 1.4300
11	Cover Bolts	AISI 304 / 1.4301
12*	Guide Bush	Steel 8.8
13*	Plain Bearing	Stainless Steel
14*	Bellows	AISI 316 / 1.4401
15*	Bellows Gasket	Bronze Filled PTFE
16*	Adjustment Spring	AISI 316 TI / 1.4571
		AISI 316 TI / 1.4571
		ST.ST./ graphite
		Steel

* Available spare parts