

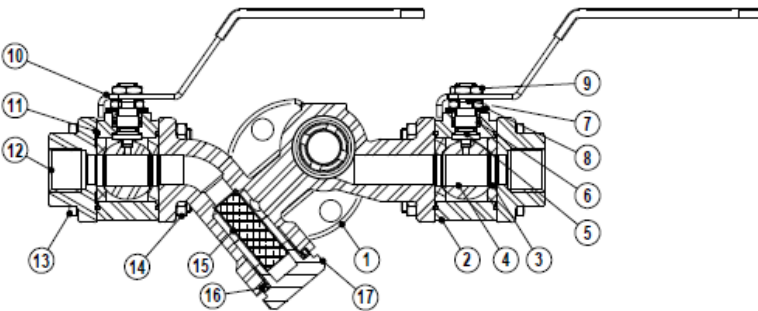
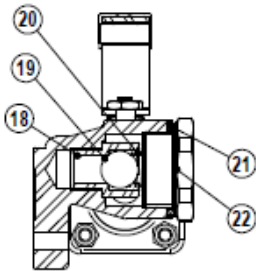


Compact Trapping Station - CTS4U

For use with universal pipeline connectors

Description

The CTS4U is designed as a complete and compact steam trap station used in steam systems where a simplified and economical maintenance program is desired. It has been designed to replace a traditional multi-component trap station system. Typical installations are drip service on steam lines, tracing and small process equipment. Two bolt flange connector permits trap replacement in minutes without disturbing the piping. The CTS4U trapping station fits all universal swivel connector steam traps. Connections are female screwed. Flanged connections - available on request.



Article no.	Size	Price
BSP		
483704	1/2"	£1,020.30
483705	3/4"	£1,033.10
DOUBLE ISOLATION		ON REQUEST
FLANGED DN15 - DN25		ON REQUEST

Materials

- 1 Main valve body CF8 / 1.4308
 - 2 Ball valve body CF8 / 1.4308
 - 3* Seat PTFE / GR
 - 4* Valve ball AISI316L / 1.4404
 - 5 Stem AISI316L / 1.4404
 - 6* Stem seals PTFE / GR
 - 7* Lock washers AISI304 / 1.4301
 - 8* Spring washers AISI304 / 1.4301
 - 9 Stem nut A2 - 70
 - 10 Handle AISI304 / 1.4301 - Vinyl
 - 11 Body seal PTFE
 - 12 Cap CF8 / 1.4308
 - 13 Bolts AISI304 / 1.4301
 - 14 Nuts A2 - 70
 - 15* Strainer screen AISI304 / 1.4301
 - 16* Gasket St. Steel / Graphite
 - 17 Strainer plug AISI304 / 1.4301
 - 18* Check valve seat AISI304 / 1.4301
 - 19* Check valve ball AISI304 / 1.4301
 - 20* Spring AISI 302 / 1.4300
 - 21* Gasket St. Steel Graphite
 - 22 Check valve cover AISI 304 / 1.4301
- * Available spare parts

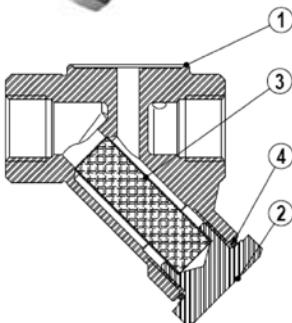


Pipeline Universal Connectors - UCX 41

Description

The UCX series pipeline connectors are used in steam systems where a simplified and economical maintenance program is desired. Typical installations are drip service on steam lines, tracing and small process equipment. Two bolt flange connector permits trap replacement in minutes without disturbing the piping. The UCX connector fits the universal swivel connector steam traps.

Connections are female screwed.



Materials

- 1 Body CF8M / 1.4408
 - 2 Strainer cap ANSI304 / 1.4301
 - 3* Strainer screen ANSI304 / 1.4301
 - 4* Gasket ANSI304 / 1.4301
- * Available spare parts

Article no.	Size	Price
BSP		
346829	1/2"	£164.60
346830	3/4"	£164.60
346831	1"	£248.70
FLANGED		ON REQUEST

Thermodynamic Steam Traps - UDT46

For use with universal pipeline connectors

Description

UDT46 complete stainless steel series thermodynamic steam traps are excellent for high pressure systems, including steam tracing applications.

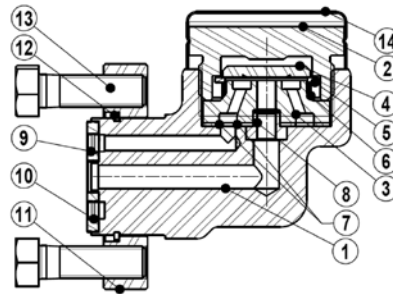
The insulation cover insures a consistent operation and makes it particularly suitable for those applications where the weather conditions, such as rain and wind, may affect the normal operation.

These traps have only one moving part and offer a wide operating range, without adjustment.

These traps fit the UCX universal connectors and CTS4U compact stations.



Article no.	Price
554142	£254.50



Materials

1	Body	CF8 / 1.4308
2	Cover	ANSI 304 / 1.4301
		ANSI 303 / 1.4305
3	Valve seat	Hardened St.Steel
4	Valve Disc	Hardened St.Steel
5	Washer support	ANSI 304 / 1.4301
6	Bimetallic ring	Bimetal
7*	Gasket	St.Steel / Graphite
8*	Tube	AISI304 / 1.4301
9*	Inlet gasket	St.Steel / Graphite
10*	Outlet gasket	St.Steel / Graphite
11	Flange	AISI 316 / 1.4401
12	Retainer ring	Steel
13	Bolts	ASTM A193 Gr.B7
14	Insulation cover	AISI 304 / 1.4301

* Available spare parts

Flow Rate Capacity in Kgs/h

MODEL	1.5	3	5	7	9	12	15	18	21	24	30	32
UDT 46 - Hot	70	100	130	175	190	200	225	240	250	270	290	300
UDT 46 - Cold	170	230	300	335	390	435	485	520	575	600	645	695

Float & Thermostatic Steam Traps - UFS32

For use with universal pipeline connectors

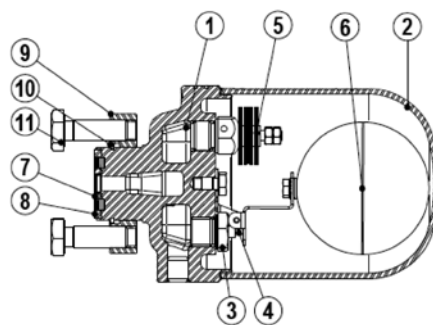
Description

UFS32 complete stainless steel, maintenance free, sealed, float and thermostatic (integral air vent) steam traps series are designed for low and medium pressure steam and all types of heating and process equipment. Typical applications include unit heaters, heat exchangers, driers, jacketed vessels and all the applications where continuous drainage is essential.

These traps fit the UCX and CTS4U universal pipeline connectors.



Article no.	Orifice Size	Price
483414	4.5	£453.50
483415	10	£453.50
483416	14	£453.50
346832	21	£583.30
346833	32	£583.30



Materials

1	Body	CF8 / 1.4308
2	Cover	ANSI304 / 1.4301
3	Valve seat	ANSI410 / 1.4006
4	Valve	ANSI440C / 1.4125
5	Air vent	Bometallic
6	Float	ANSI301 / 1.4301
7*	Inlet gasket	St. Steel / Graphite
8*	Outlet gasket	St. Steel / Graphite
9	Flange	ANSI316 / 1.4401
10	Retainer ring	Steel
11	Bolts	A4 - 80

* Available spare parts

Flow Rate Capacity in Kgs/h

MODEL	0.5	1	1.5	2	3	4.5	6	7	8	9	10	12	14	16	21	32
UFS32-4.5	230	330	400	440	535	630										
UFS32-10	150	200	250	280	340	400	460	495	520	550	595					
UFS32-14	120	150	190	220	260	320	380	400	425	440	480	510	550			
UFS32-21	60	80	90	115	135	160	190	200	220	230	240	260	270	290	300	
UFS32-32	36	50	62	75	90	105	120	140	150	155	160	170	190	200	230	280



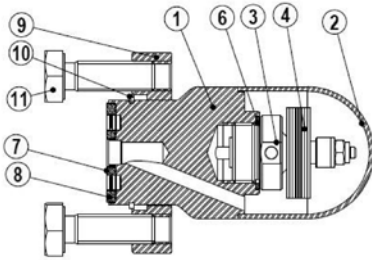
Bimetallic Steam Trap - UBS20

For use with universal pipeline connectors

Description

UBS20 complete stainless steel, maintenance free, sealed, series bimetallic steam traps and air eliminators are simple and robust traps, recommended for drip service, steam tracing applications and where condensate sensible heat can be recovered.

These traps fit the UCX and CTS4U universal connectors.



Materials

1	Body	AISI316 / 1.4401
2	Cover	AISI316 / 1.4401
3	Valve seat	AISI304 / 1.4301
4	Discs	Bimetal
6	Gasket	Copper
7*	Inlet gasket	St.Steel / Graphite
8*	Outlet gasket	St.Steel / Graphite
9	Flange	AISI316 / 1.4401
10	Retainer ring	Steel
11	Bolts	A4 - 80

* Available spare parts

Article no.	Model	Price
483062	UBS20	£254.20

Flow Rate Capacity in Kgs/h

MODEL	0.5	1	2	4	6	8	10	12	14	17
UBS20 (A)	125	200	320	410	445	485	500	540	580	600
UBS20 (B)	450	700	1000	1220	1340	1450	1560	1650	1780	1850

A = Condensate discharge at 10°C below saturation temperature.

B = Cold water capacity at about 20°C.



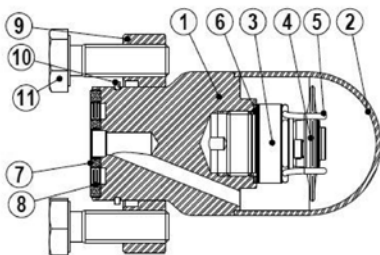
Thermostatic Steam Trap - UTS22

For use with universal pipeline connectors

Description

UTS22 complete stainless steel, maintenance free, sealed series thermostatic steam traps and air eliminators are specifically designed to be used on process equipment such as kettle cookers, sterilizers, food, chemical and laundry equipment.

These traps fit the UCX and CTS4U universal pipeline connectors.



Materials

1	Body	AISI316 / 1.4401
2	Cover	AISI316 / 1.4401
3	Valve seat	AISI304 / 1.4301
4	Thermostatic element	Stainless steel
5	Spring	AISI302 / 1.4300
6	Gasket	Copper
7*	Inlet gasket	St.Steel / Graphite
8*	Outlet gasket	St.Steel / Graphite
9	Flange	AISI316 / 1.4401
10	Retainer ring	Steel
11	Bolts	A4 - 80

* Available spare parts

Article no.	Model	Price
483413	UTS22	£254.20
484113	UTS22LC	£254.20

Flow Rate Capacity in Kgs/h

MODEL	0.2	0.3	0.5	1	1.5	2	3	4	6	8	10	13	15	20	22
UTS22	70	120	140	255	330	385	455	510	600	670	700	720	750	775	795
UTS22LC	45	55	70	95	125	135	180	200	270	315	330	360	370	405	415

Capacities shown refer to condensate at 10°C below saturated steam temperature (standard type-S thermostat) .

Thermostats for 5° C (type-H) and 30° (type-L), also available.

Capacities for cold condensate discharge at 20°C are two to three times greater.