

Bimetallic Steam Traps & Air Eliminators - BM 20



Description

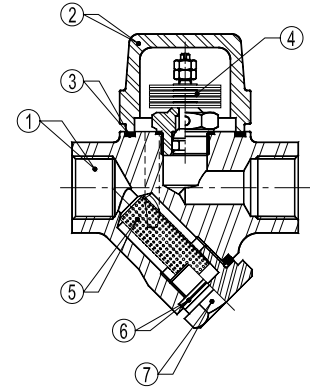
BM20 Series bimetallic steam traps and air eliminators are simple and robust traps, recommended for steam process applications where condensate sensible heat can be recovered, steam tracing lines, drip points, storage tank coils, steam air venting, etc. The use of condensate sensible heat reduces the steam consumption. Connections are female screwed or flanged.



Article No.	Size	Price
BSP		
443632	1/2"	£225.00
444057	3/4"	£228.20
443569	1"	£231.70
ANSI 150		
		Price
440027	1/2"	£305.50
440025	3/4"	£311.00
440024	1"	£318.70
PN16		
		Price
348561	1/2"	£305.50
348562	3/4"	£311.00
445949	1"	£318.70

Materials

- 1 Body P250GH (1.0460)
 - 2 Cover P250GH (1.0460)
 - 3* Gasket St.St./Graphite
 - 4* Valve assy. Stainless steel
 - 5* Strainer screen Stainless steel
 - 6* Gasket St. steel / Graphite
 - 7* Cover strainer A 105
 - 8 Bolts A2-70
- * Available spare parts



Flow Rate Capacity in Kgs/h

	Size DN	0,5	1	2	4	6	8	10	12	14	17
BM20	15 - 25 A	125	200	320	410	445	485	500	540	580	600
BM20	15 - 25 B	450	700	1000	1220	1340	1450	1560	1650	1780	1850

A = Condensate discharge at 10°C below saturation temperature. B = Cold water capacity at about 20°C.

Bimetallic Steam Traps & Air Eliminators - BM140



Description

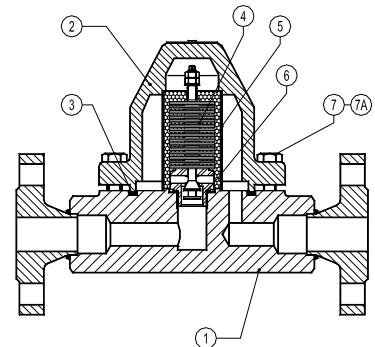
BM140 Series bimetallic steam traps and air eliminators are simple and robust traps, recommended for steam where condensate sensible heat can be recovered, steam tracing lines, drip points, storage tank coils, steam air venting, etc. The use of condensate sensible heat reduces the steam consumption. Connections are female screwed, socket weld, butt weld or flanged.



Article No.	Size	Price
BSP		
743632	1/2"	£1,649.40
744057	3/4"	£1,649.40
743569	1"	£1,649.40
Flanged		ON REQUEST

Materials

- 1 Body ASTM A182F22(1.7380) (Equiv.10CrMo910)
 - 2 Cover ASTM A182F22(1.7380) (Equiv.10CrMo910)
 - 3* Gasket St.St./Graphite
 - 4* Valve assembly Hardened St.Steel
 - 5* Strainer screen St.Steel (1.4301)
 - 6* Seat gasket St.Steel
 - 7 Studs ASTM A320 Gr.L7
 - 7A Nuts ASTM A194 Gr.4
- * Available spare parts



Flow Rate Capacity in Kgs/h

	Size DN	25	30	35	40	45	50	60	80	120	140
BM140	15 - 25 A	500	550	570	580	590	600	620	630	640	650
BM140	15 - 25 B	3000	3200	3600	4000	4200	4700	5400	6200	7800	8500

A = Condensate discharge at 10°C below saturation temperature. B = Cold water capacity at about 20°C.