

HIGH TEMPERATURE THREE-PIECE BALL VALVE SERIES 50 CARBON FILLED RPTFE SEATS

Description

An economical three-piece full bore ball valve designed for manual operation and tight shut off isolation. The series 50 full bore bidirectional ball valve offers reliability with an easily maintainable design. Manufactured in stainless steel as standard with an alternative option in carbon steel on request.

Carbon Filled PTFE seats allow a tight shut-off isolation for steam lines (up to 10.0 barg) and high temperature hot water / condensate lines and other gas and liquid systems compatible with this valves material construction.

The series 50 is stocked within the UK in BSP parallel or taper female ends connections with various options for NPT thread, Socket weld and Butt weld (SCHD 40) available on request. The valve is supplied as standard with a lockable handle suitable to be pad locked in either the open or closed position.



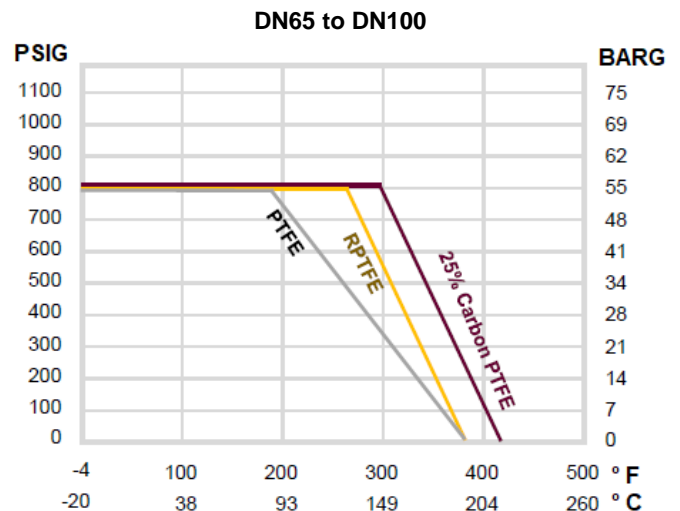
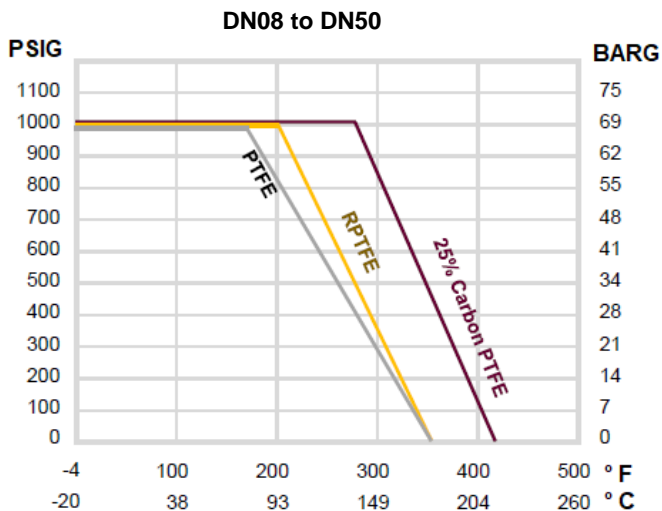
Design Advantages

- Three-piece swing out design allows in-line maintenance
- Full port orifice minimizes pressure drops & prolong life
- Blow-out proof stem design for maximum safety
- 25% carbon filled PTFE seats suitable to 220.0°C
- High Pressure rating 800 / 1000 PSI G
- Available in various end connections
- Available in stainless steel and carbon steel

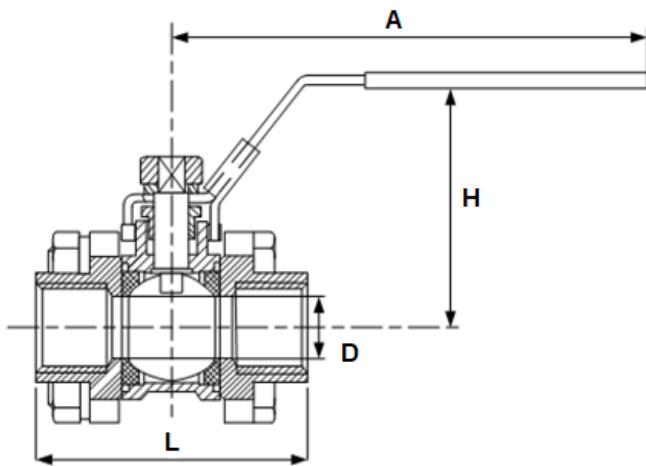
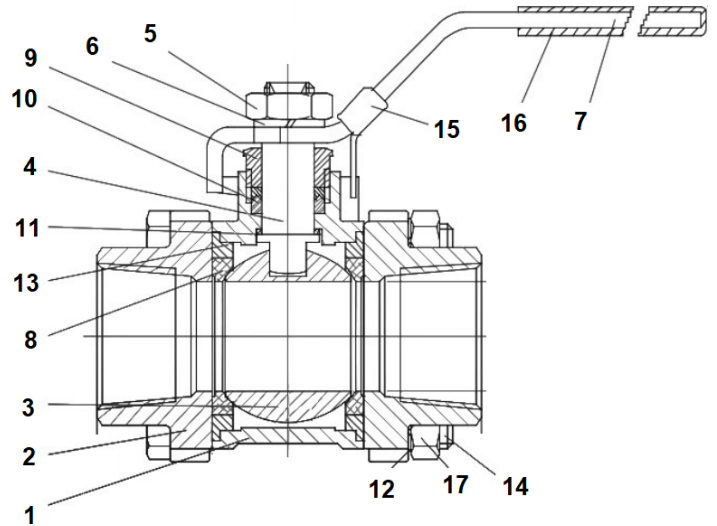
Specifications

Construction	Three-piece, full bore
Size	DN08 (1/4") to DN100 (4")
Body	CF8M, WCB / 1.4408, 1.0619
Ball	316 S.S / CF8M
Stem	316 S.S
Seat	PTFE / RPTFE / 25% Carbon
Pressure Rating	1000 PSI (1/4" to 2") 800 PSI (2 1/2" to 4")
Temperature Range	-20° to +220° (See Graph)
Cycle Life	1M Operations

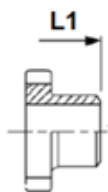
Pressure vs. Temperature Chart



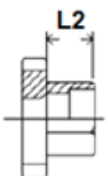
No	Description	Material	
1	Body	CF8M	WCB
2	End Cap	CF8M	WCB
3	Ball	SUS 316	
4	Stem	SUS 316	
5	Stem Nut	SUS 304	
6	Stem Washer	SUS 304	
7	Handle	SUS 304	
8	Seat	PTFE	
9	Gland Nut	SUS 304	
10	V-Ring Packaging	PTFE	
11	Stem Seal	PTFE	
12	Bolt Washer	SUS 304	
13	Joint Gasket	PTFE	
14	Bolt	SUS 304	
15	Locking Device	SUS 304	
16	Handle Sleeve	Vinyl	
17	Bolt Nut	SUS 304	



Size	D	H	A	L	Kg
1/4"	11.5	54	102	56.6	0.36
3/8"	12.7	54	102	56.6	0.44
1/2"	15.0	64	132	67.2	0.53
3/4"	20.0	67	132	76.2	0.70
1"	25.0	78	167	86.2	1.02
1 1/4"	32.0	80	167	102.8	1.62
1 1/2"	40.0	90	192	119.4	2.41
2"	50.0	98	192	131.4	3.66
2 1/2"	65.0	137	252	164.0	7.35
3"	80.0	147	252	182.7	10.21
4"	100.0	175	282	235.6	20.76



**BUTT WELD ENDS
(SCH 40)**



SOCKET WELD ENDS

Size	L1	L2
1/4"	70	10
3/8"	70	10
1/2"	75	10
3/4"	90	13
1"	100	13
1 1/4"	110	13
1 1/2"	125	13
2"	150	16
2 1/2"	190	16
3"	220	16
4"	270	20

Breakaway Torque (RPTFE and KV Value)

Size	Nm	Kv (m3/h)
1/4" DN8	7	6
3/8" DN10	7	7
1/2" DN15	7	13
3/4" DN20	9	34
1" DN25	16	60
1 1/4" DN32	17	94
1 1/2" DN40	29	213
2" DN50	36	366
2 1/2" DN65	59	595
3" DN80	85	935
4" DN100	107	1700