

DIAPHRAGM SENSING PRESSURE REDUCING VALVE PRV30 (1" – 1 1/4"; DN 25 – DN 32)

DESCRIPTION

The ADCA PRV30 series direct acting, spring-loaded diaphragm sensing, balanced plug pressure reducing valves, are designed for use with compressed air, water and other gases and liquids compatible with the materials of construction.

They are suitable for pressure reducing stations at the point of use on laundry machines, dyeing, food industries, sterilizers, etc.

MAIN FEATURES

Compact design.
 Balanced valve plug.

OPTIONS: Different soft valves for water and gases.
 Relieving – Internal relief valve to allow reduced outlet pressure in a no-flow condition.
 1/4" outlet gauge connection on body.
 Top cap (adjustment screw with cover).

USE: Compressed air, water and other gases and liquids compatible with the construction.

AVAILABLE MODELS: PRV30SS – stainless steel, diaphragm sensing.

SIZES: 1" and 1 1/4"; DN 25 and DN 32.

CONNECTIONS: Female threaded ISO 7 Rp or NPT.
 Flanged EN 1092-1 PN 40 or PN 63.
 Flanged ASME B16.5 Class 150 or 300.

INSTALLATION: Horizontal installation.
 See IMI – Installation and maintenance instructions.
 A "Y" strainer should be installed upstream of the valve.



PN 40

PN 63

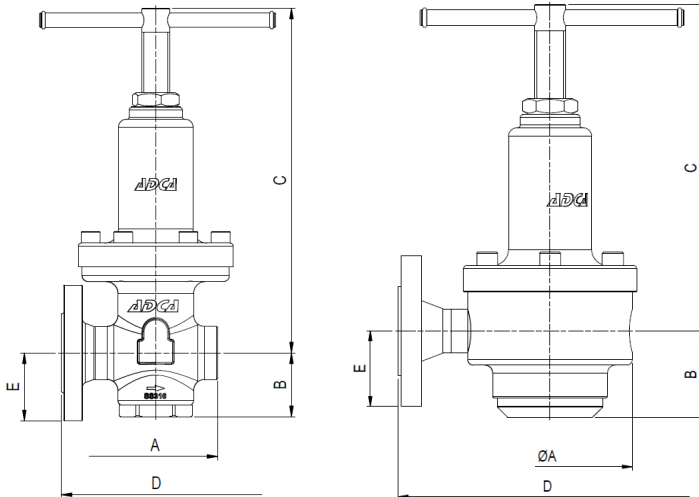
FLOW RATE COEFFICIENTS (m ³ /h)		
SIZE	1" – DN 25	1 1/4" – DN 32
Kvs	6,5	7,2

LIMITING CONDITIONS	
Valve model	PRV30SS
Body design conditions	PN 63
Maximum upstream pressure	50 bar
Maximum downstream pressure	15 bar
Minimum downstream pressure	0,2 bar
Maximum design temperature *	80 °C
Maximum recommended reducing ratio	40:1

* Others on request.

CE MARKING – GROUP 2 (PED – European Directive)

PN 63	Category
1" to 1 1/4" – DN 25 to 32	SEP



DIMENSIONS (mm) – CASTED VERSION

SIZE	THREADED				PN 40		
	A	B	C	WGT. (kg)	D *	E	WGT. (kg)
1" – DN 25	105	60	295	6,3	160	57,5	8,5

* Different lengths and connections on request.

DIMENSIONS (mm) – BAR STOCK VERSION

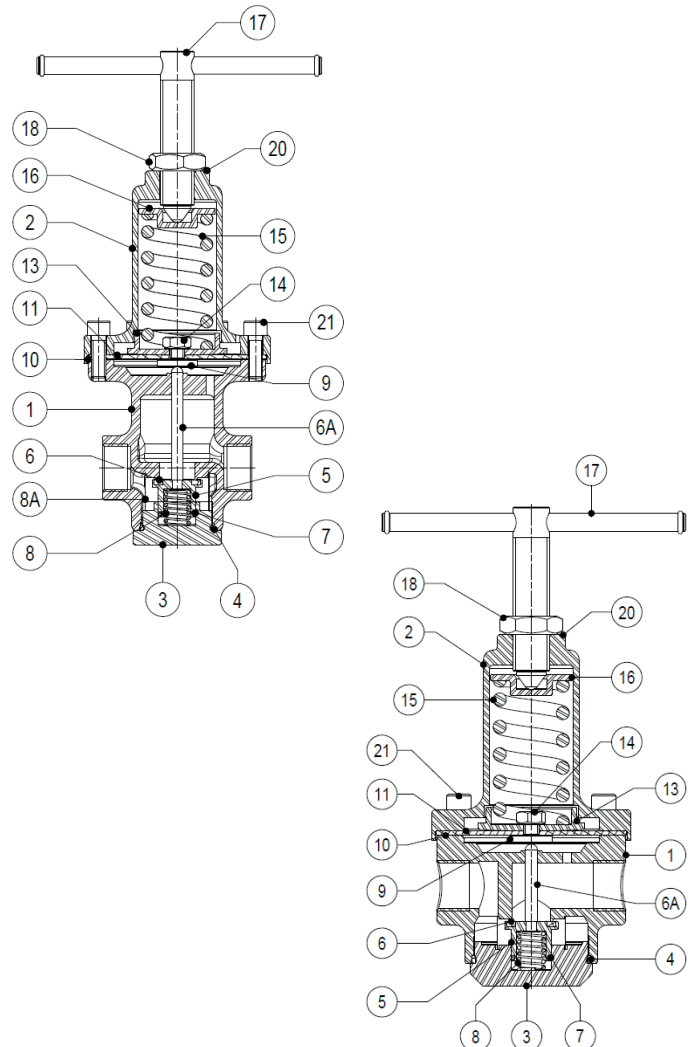
SIZE	THREADED				PN 40			PN 63			CLASS 150			CLASS 300		
	A	B	C	WGT. (kg)	D *	E	WGT. (kg)	D *	E	WGT. (kg)	D *	E	WGT. (kg)	D *	E	WGT. (kg)
1" – DN 25	125	66	250	7,5	230	58	11	230	70	13	230	54	10,5	230	62	11,5
1 1/4" – DN 32	125	66	250	7,5	260	70	11	260	78	14	260	59	11	260	67	12

* Different lengths on request.

MATERIALS		
POS. N°	DESIGNATION	MATERIAL
1	Valve body	AISI 316 / 1.4401; A351 CF8M / 1.4408
2	Top cover	CF8M / 1.4408
3	Seat cover	AISI 316 / 1.4401
4	* O-ring	NBR
5	* Piston valve	AISI 316 / 1.4401
6	* Valve head	NBR; EPDM; PTFE; etc.
6A	* Pushrod	AISI 316 / 1.4401
7	* O-ring	NBR; EPDM; PTFE; etc.
8	* Valve spring	AISI 302 / 1.4300
8A	* Strainer screen	AISI 304 / 1.4301
9	Pusher disc	AISI 304 / 1.4301
10	* Diaphragm	PTFE
11	* Diaphragm	NBR **
13	Spring plate	AISI 304 / 1.4301
14	Nut	Stainless steel A2-70
15	* Adjustment spring	Spring steel
16	Top spring plate	Brass
17	Adjustment screw	AISI 304 / 1.4301
18	Locknut	Stainless steel A2-70
20	Spring id. plate	Aluminium
21	Bolts	Stainless steel A2-70

* Available spare parts; ** Stainless steel on request.

Remarks: All valves have a serial number. In case of non-standard valves this number must be supplied if spare parts are ordered.



ORDERING CODES PRV30												
Valve model	R30	.	1	W	N	C	S	4	R	.	A	25
PRV30SS – diaphragm sensing pressure reducing valve	R30											
Regulating range												
N°1 – 0,2 to 1,5 bar			1									
N°2 – 0,3 to 3 bar			2									
N°3 – 0,8 to 8 bar			3									
N°4 – 1,5 to 15 bar			4									
Application												
Water				W								
Gases				G								
Oxygen (degreased)				O								
Seal material a)												
NBR					N							
EPDM					E							
PTFE					T							
FPM / Viton					V							
Maximum inlet pressure												
30 bar						C						
50 bar b)						D						
Diaphragm												
Stainless steel (non relieving)							S					
Rubber / PTFE (relieving or non-relieving)							R					
Gauge port 1/4"												
Without gauge ports								(1)				
Gauge port on the left side (relative to the flow direction)								4				
Gauge port on the right side (relative to the flow direction)								3				
Gauge ports on both sides								2				
Relieving												
Non-relieving									(1)			
Relieving (for non-dangerous gases only)									R			
Pipe connection												
Female threaded ISO 7 Rp											A	
Female threaded NPT ASME B1.20.1											C	
Socket weld (SW) ASME B16.11											H	
Butt weld (BW) ASME B16.25											I	
Flanged EN 1092-1 PN 40											N	
Flanged EN 1092-1 PN 63											O	
Flanged ASME B16.5 Class 150											U	
Flanged ASME B16.5 Class 300											V	
Flanged ASME B16.5 Class 600											W	
Size												
1" or DN 25												25
1 1/4" or DN 32												32
Special valves / Extras												
Full description or additional codes have to be added in case of non-standard combination.												E

(1) Omitted if a standard valve is requested.

a) Valve limited to the materials' maximum operating temperature. Consult manufacturer for more details.

b) The 50 bar inlet is available only with spring n° 4.