

THREE PIECE BALL VALVES M3i1

DESCRIPTION

The M3i1 three piece ball valves are full bore isolating valves designed for on/off applications with steam, condensate and other gases and liquids compatible with the construction.

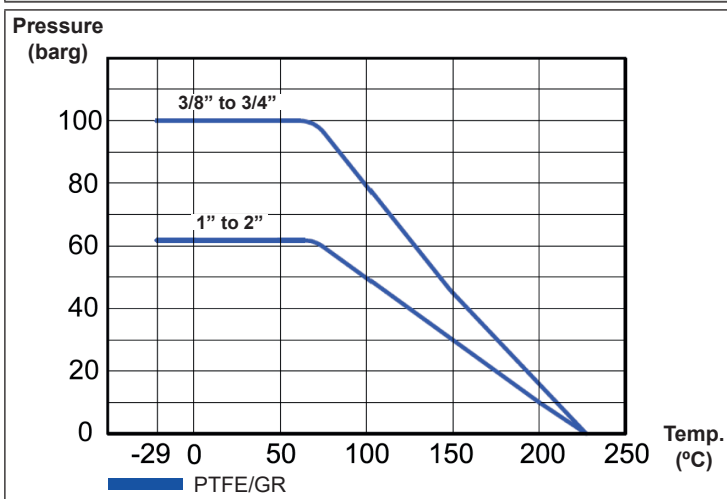
MAIN FEATURES

- Full bore floating ball design.
- Can be serviced without removal from pipeline.
- Bidirectional.
- Blow-out proof stem design.
- Antistatic device.
- ISO 5211 mounting.



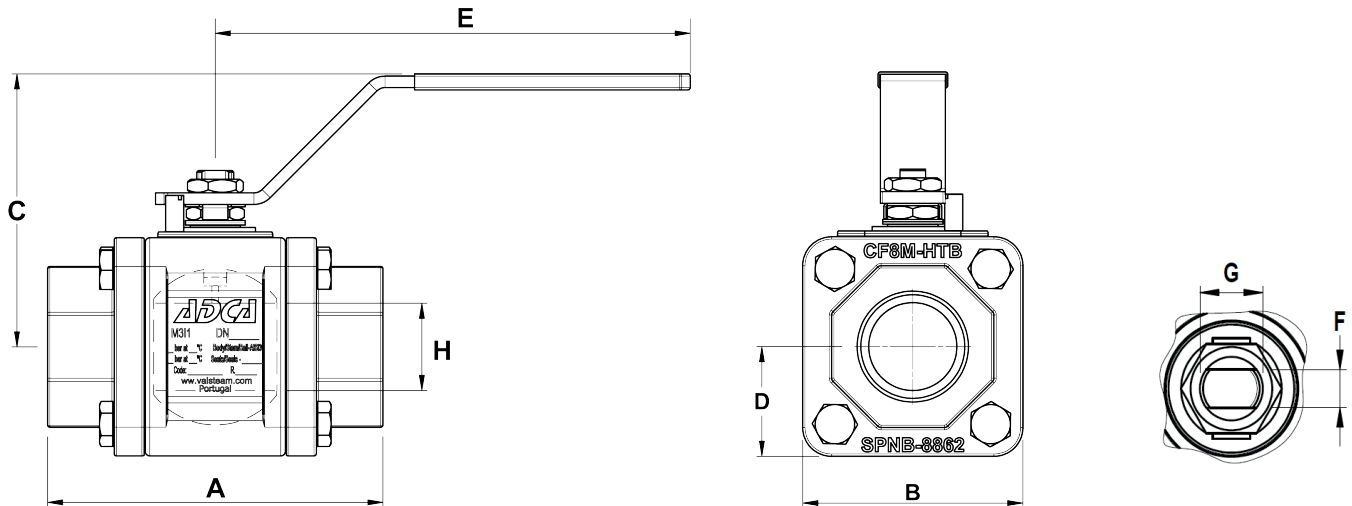
- OPTIONS:** Different sealing materials.
- USE:** Steam, gases and liquids compatible with the construction.
- AVAILABLE MODELS:** M3i1 – stainless steel.
- SIZES:** 3/8" to 2".
- CONNECTIONS:** Female threaded ISO 7 Rp or NPT.
Socket weld (SW) ASME B16.11.
- INSTALLATION:** See IMI – Installation and maintenance instructions.

BODY LIMITING CONDITIONS



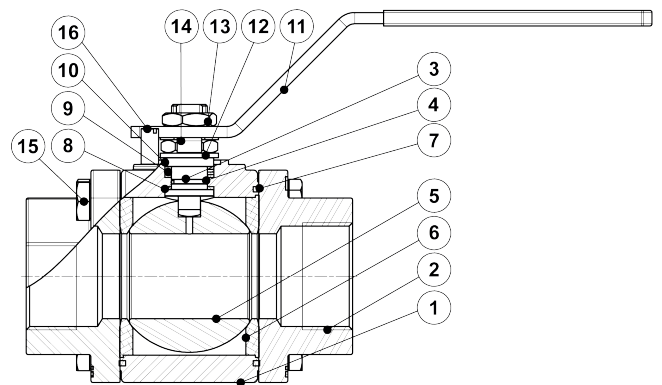
CE MARKING – GROUP 2 (PED – European Directive)

PN 100	Category
3/8" to 1 1/4"	SEP
1 1/2" to 2"	1 (CE marked)



DIMENSIONS (mm)										
SIZE	A	B	C	D	E	F	G	H	ISO 5211	WEIGHT (kg)
3/8"	68	42	65	21	149	6	M10 x 1	11	F03	0,73
1/2"	76	50	69	25	149	6	M10 x 1	15	F03	1,1
3/4"	100	62	87	31	176	7,5	M12 x 1,25	20	F04	2,18
1"	118	72	92	36	176	7,5	M12 x 1,25	25	F04	3,12
1 1/4"	130	85	114	42,5	207	11	M16 x 1,5	32	F05	4,66
1 1/2"	146	95	119	47,5	207	11	M16 x 1,5	38	F05	6,35
2"	154	105	124	52,5	232	11	M16 x 1,5	50	F05	7,1

MATERIALS		
POS. Nº	DESIGNATION	MATERIAL
1	Body	A35 CF3M / 1.4409
2	Body cap	A351 CF8M / 1.4408
3	Stem	AISI 316 / 1.4401
4	Stem o-ring	Viton
5	Ball	AISI 316 / 1.4401
6	* Seat	PTFE/GR
7	* Body gasket	PTFE
8	* Stem gasket	PTFE/GR
9	* Stem seal	PTFE/GR
10	Spacer	AISI 316 / 1.4401
11	Handle	AISI 304 / 1.4301
12	* Spring washers	AISI 304 / 1.4301
13	Compression nut	AISI 304 / 1.4301
14	* Lock washer	AISI 304 / 1.4301
15	Fixing bolts	AISI 304 / 1.4301
16	Nuts	AISI 304 / 1.4301



* Available spare parts