

PIPELINE Y STRAINERS IS16F

DESCRIPTION

The IS16F cast iron Y strainers are applicable to all types of steam, water, oil and air systems.

Their purpose is to protect traps, regulating valves, piping, etc. from dirt and impurities, which are often the cause of damage and consequent energy loss of fluid systems.

OPTIONS: Different screen aperture sizes.
Drain plug or drain valve in strainer cap.

USE: Group 2 fluids compatible with the construction (see "Body limiting conditions" table).

AVAILABLE

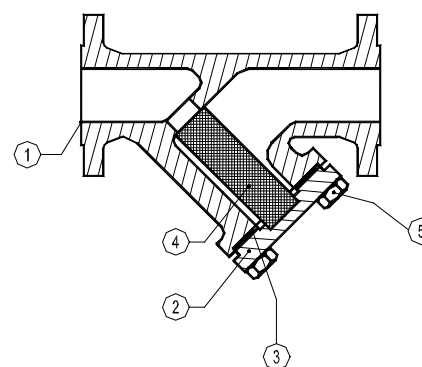
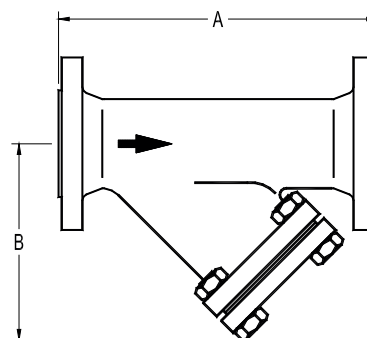
MODELS: IS16F – cast iron.

SIZES: DN 15 to DN 300.

SCREENS: 1 mm aperture – up to DN 50.
1,25 mm aperture – from DN 65 to DN 80.
1,6 mm aperture – from DN 100 to DN 300.

CONNECTIONS: Flanged EN 1092-2 PN 16.

INSTALLATION: Horizontal or vertical downstream installation.
See IMI – Installation and maintenance instructions.



CE MARKING – GROUP 2 (PED – European Directive)	
PN 16	Category
DN 15 to DN 50	SEP
DN 65 to DN 200	1 (CE marked)
DN 250 to DN 300	2 (CE marked)

BODY LIMITING CONDITIONS *	
ALLOWABLE PRESSURE	RELATED TEMPERATURE
16 bar	-10 / 120 °C
12,8 bar	200 °C
11,2 bar	250 °C
9,6 bar	300 °C

* Warning: The eventual use with steam/gas should be analyzed in accordance with the local applicable legislation, and always ensuring that there is no risk of water hammer.

MATERIALS		
POS. N°	DESIGNATION	MATERIAL
1	Body	GJL-250 / 0.6025
2	Cap	GJL-250 / 0.6025
3	* Gasket	Stainless steel / Graphite
4	* Strainer screen	AISI 304 / 1.4301
5	Bolts	Steel 8.8

* Available spare parts.

DIMENSIONS (mm)			
SIZE	A	B	WEIGHT (kg)
DN 15	130	75	2,4
DN 20	150	75	3
DN 25	160	90	3,8
DN 32	180	90	5,2
DN 40	200	110	6,8
DN 50	230	120	9
DN 65	290	140	11,8
DN 80	310	165	16,8
DN 100	350	220	25,2
DN 125	400	260	37
DN 150	480	300	58
DN 200	600	360	112
DN 250	730	470	162
DN 300	850	560	195