

BIMETALLIC STEAM TRAPS AND AIR VENTS BM32 (1 1/2" – 2"; DN 40 – 50)

DESCRIPTION

The BM32 series bimetallic steam traps and air vents are simple and robust traps, recommended for steam process applications where condensate sensible heat can be recovered, steam tracing lines, drip points, storage tank coils, steam air venting, etc. The use of condensate sensible heat reduces steam consumption.

MAIN FEATURES

- Modulating discharge.
- Discharges condensate below steam temperature.
- Excellent air discharge.
- Operates on superheated steam.
- Unaffected by water hammer and vibrations.
- Built-in strainer.

USE: Saturated and superheated steam.

AVAILABLE MODELS: BM32 – carbon steel.

SIZES: 1 1/2" to 2"; DN 40 to DN 50.

CONNECTIONS: Female threaded ISO 7 Rp or NPT.
Flanged EN 1092-1 PN 40.
Flanged ASME B16.5 Class 150 or 300.
Socket weld (SW) ASME B16.11.
Butt weld (BW) ASME B16.25.

INSTALLATION: Horizontal installation recommended, can be installed in any position.
See IMI – Installation and maintenance instructions.



BODY LIMITING CONDITIONS		
FLANGED PN 40 / CLASS 300 *	FLANGED CLASS 150 **	RELATED TEMP.
ALLOWABLE PRESSURE	ALLOWABLE PRESSURE	
40 bar	19,3 bar	50 °C
35 bar	15,8 bar	150 °C
30,4 bar	12,1 bar	250 °C
27,6 bar	10,2 bar	300 °C

PMO – Maximum operating pressure: 32 bar.
TMO – Maximum operating temperature: 300 °C.
* Acc. to EN 1092-1:2018. ** Acc. to EN 1759-1:2004.
Body limiting conditions PN 40 or below, depending on the type of connection adopted. Rating PN 40 for threaded, SW and BW versions.

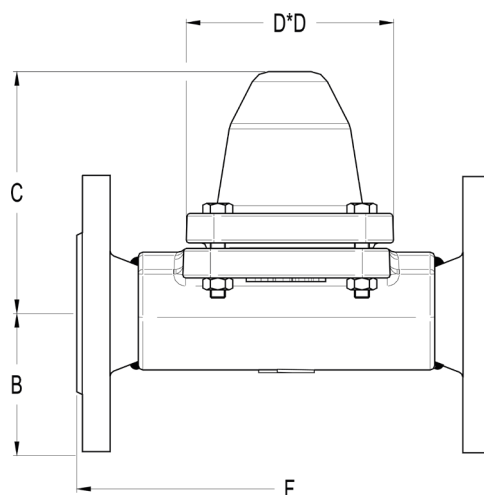
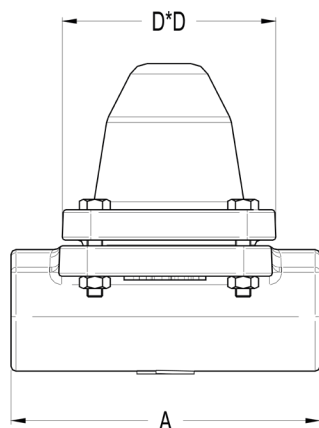
CE MARKING – GROUP 2 (PED – European Directive)

CLASS 150	PN 40 / CLASS 300	Category
–	1 1/2" to 2" DN 40 to 50	1 (CE Marked)
1 1/2" to 2"	–	SEP

FLOW RATE CAPACITY (kg/h)

MODEL	SIZE	DIFFERENTIAL PRESSURE (bar)											
		2	4	6	8	10	12	16	18	20	24	28	32
BM32	1 1/2" to 2" A DN 40 to 50 A	450	490	550	640	700	730	850	920	980	1050	1100	1150
BM32	1 1/2" to 2" B DN 40 to 50 B	1400	1500	1700	1950	2200	2200	2600	2800	2950	3150	3300	3500

A: Condensate discharge at 10 °C below saturation temperature; B: Cold water capacity around 20 °C.



DIMENSIONS (mm)														
SIZE	BW	THREADED / SW				PN 40			CLASS 150			CLASS 300		
	A	A	C	D	WEIGHT (kg)	B	F *	WEIGHT (kg)	B	F *	WEIGHT (kg)	B	F *	WEIGHT (kg)
1 1/2" – DN 40	160	160	132	115	7,2	75	230	11,9	64	230	10,6	78	230	12,9
2" – DN 50	160	230	132	115	9,3	83	230	14,9	76	230	14,5	83	230	16,1

* Different face to face dimensions on request.

MATERIALS		
POS. N°	DESIGNATION	MATERIAL
1	Body	A105 / 1.0432 (Equiv. P250GH)
2	Cover	A105 / 1.0432 (Equiv. P250GH)
3	* Gasket	Stainless steel / Graphite
4	* Valve assembly	Hardened st. steel / Bimetal
5	* Strainer screen	AISI 304 / 1.4301
6	* Seat gasket	Copper
7	Studs	A193 Gr. B7
7A	Nuts	A194 Gr. 2H

* Available spare parts.

