

BIMETALLIC STEAM TRAPS AND AIR VENTS BM20SS

DESCRIPTION

The BM20SS series bimetallic steam traps and air vents are simple and robust traps, recommended for steam process applications where condensate sensible heat can be recovered, steam tracing lines, drip points, storage tank coils, steam air venting, etc. The use of condensate sensible heat reduces steam consumption.

MAIN FEATURES

- Modulating discharge.
- Discharges condensate below steam temperature.
- Excellent air discharge.
- Operates on superheated steam.
- Unaffected by water hammer and vibrations.
- Built-in strainer.

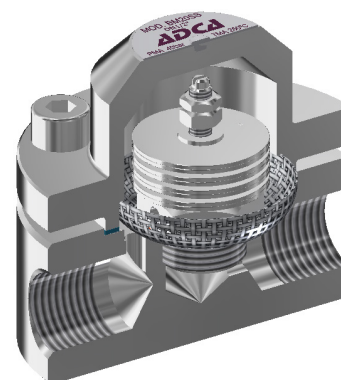
USE: Saturated and superheated steam.

AVAILABLE MODELS: BM20SS – stainless steel.

SIZES: 1/2" to 1"; DN 15 to DN 25.

CONNECTIONS: Female threaded ISO 7 Rp or NPT.
Flanged EN 1092-1 PN 40.
Flanged ASME B16.5 Class 150 or 300.
Socket weld (SW) ASME 16.11.
Butt weld (BW) ASME B16.25 on request.

INSTALLATION: Horizontal installation recommended, can be installed in any position.
See IMI – Installation and maintenance instructions.



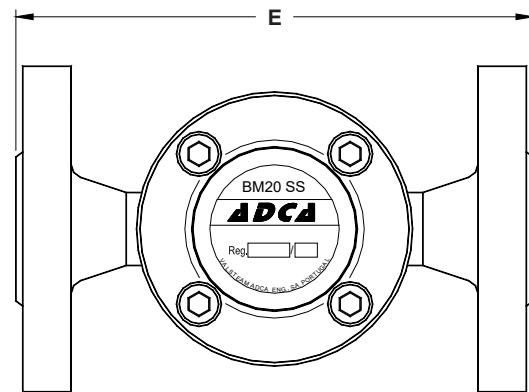
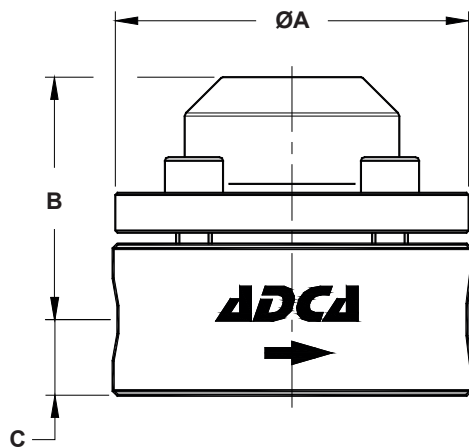
BODY LIMITING CONDITIONS			
FLANGED CLASS 150 **	FLANGED CLASS 300 **	FLANGED PN 40 *	RELATED TEMP.
ALLOWABLE PRESSURE	ALLOWABLE PRESSURE	ALLOWABLE PRESSURE	
15,3 bar	39,9 bar	40 bar	50 °C
12 bar	31,3 bar	34,4 bar	150 °C
11,1 bar	28,8 bar	31,8 bar	200 °C
10,2 bar	26,6 bar	29,9 bar	250 °C

PMO – Max. operating pressure: 17 bar.
TMO – Max. operating temperature: 250 °C.
* Acc. to EN 1092-1:2018. ** Acc. to EN 1759-1:2004.
Body limiting conditions PN 40 or below, depending on the type of connection adopted. Rating PN 40 for threaded, SW and BW versions.

CE MARKING – GROUP 2 (PED – European Directive)	
PN 40	Category
1/2" to 1" – DN 15 to 25	SEP

FLOW RATE CAPACITY (kg/h)											
MODEL	SIZE	DIFFERENTIAL PRESSURE (bar)									
		0,5	1	2	4	6	8	10	12	14	17
BM20SS	1/2" to 1" A DN 15 to 25 A	125	200	320	410	445	485	500	540	580	600
BM20SS	1/2" to 1" B DN 15 to 25 B	450	700	1000	1220	1340	1450	1560	1650	1780	1850

A: Condensate discharge at 10 °C below saturation temperature; B: Cold water capacity around 20 °C.



DIMENSIONS (mm)										
SIZE	THREADED / SW				PN 40		CLASS 150		CLASS 300	
	A	B	C	WEIGHT (kg)	E	WEIGHT (kg)	E	WEIGHT (kg)	E	WEIGHT (kg)
1/2" – DN 15	80	55	17	1,8	150	3,3	150	2,8	150	3,6
3/4" – DN 20	80	58	20	1,9	150	4,1	150	3,3	150	4,9
1" – DN 25	90	60	23	2,1	160	5,1	160	4,7	160	6,3

MATERIALS		
POS. N°	DESIGNATION	MATERIAL
1	Body	AISI 316 / 1.4401
2	Cover	AISI 316 / 1.4401
3	* Gasket	Stainless steel / Graphite
4	* Valve assembly	Bimetallic
5	* Strainer screen	AISI 304 / 1.4301
6	Bolts	Stainless steel A2-70

* Available spare parts.

