



451

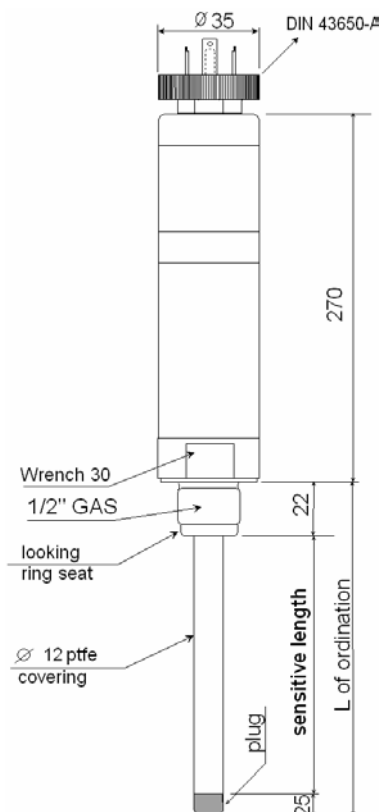
CONTINUOUS LEVEL TRANSMITTER for HIGH TEMPERATURE – 3 wire configuration



TECHICAL CHARACTERISTICS

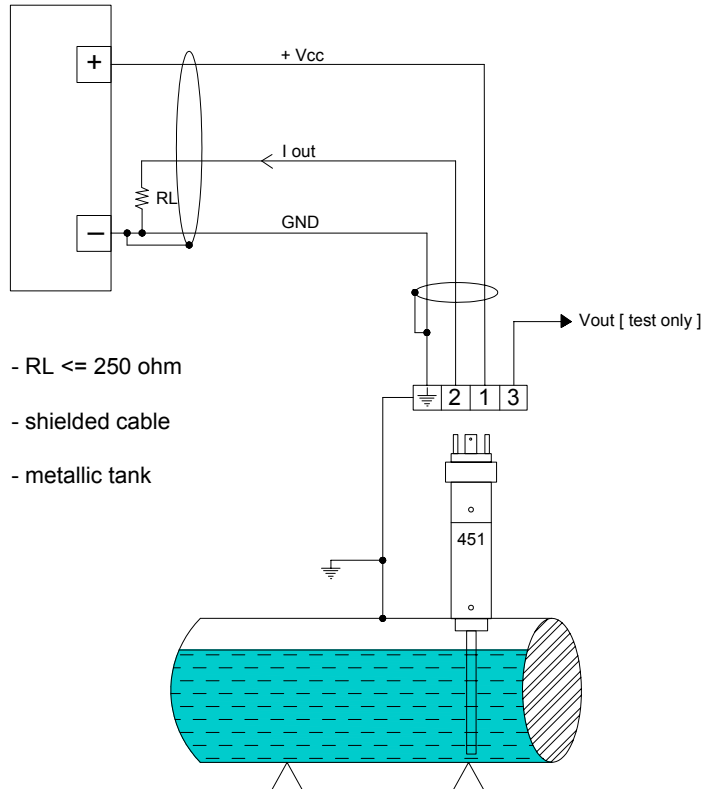
- **Sensor working:** capacitive
- **Probe body:** stainless steel AISI 303
- **Thread:** ½" GAS
- **Electric wiring:** according to DIN 43650-A with PG11 cable gland
- **Electrode:** stainless steel covering
- **Covering:** Ø 12mm PTFE
- **Temperature:** 215 °C on the electrode
- **Pressure:** 20 bar
- **Weight:** 1000 gr (for L=500mm)
- **Power supply:** 24V d.c. ±10%
- **Absorption:** 0.9 VA
- **Output:** 4 ÷ 20 mA, [calibrated, with 3" delayed] Rmax = 250 Ω
- **Precision:** 0,5% f.s. after calibration at 25°C
- **Plug:** 25mm not-sensitive end, at the bottom
- **Product controlled:** water, liquids

MECHANICAL DIMENSIONS



METAL TANK - WIRING DIAGRAM

Power supply
24 V d.c.



- RL ≤ 250 ohm
- shielded cable
- metallic tank

ORDER CODES

CODE	TEMPERATURE	PRESSURE	THREAD	ELECTRODE	NOTES
451-505-04	215 °C	20 bar	½ " stainless steel AISI 303	stainless steel; for L up to 500mm	
451-510-04	215 °C	20 bar	½ " stainless steel AISI 303	stainless steel; for L up to 1000mm	