



395

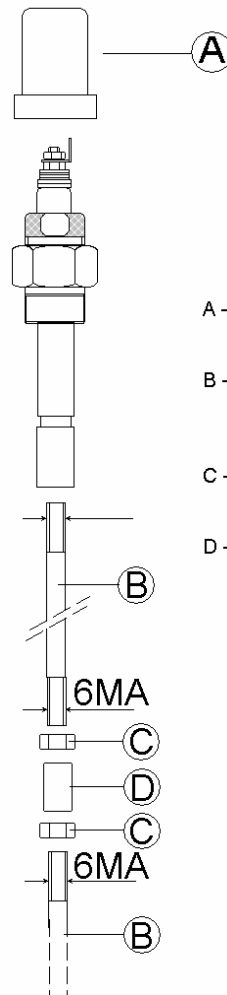
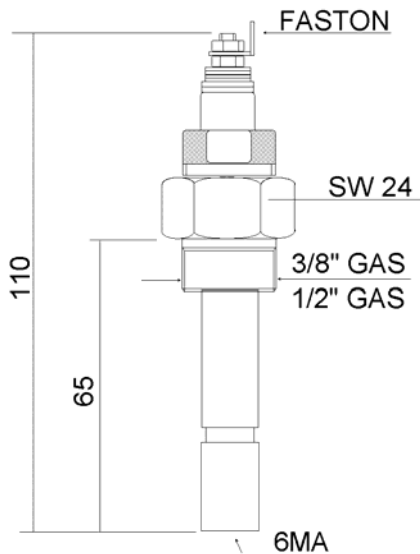
SINGLE ELECTRODE-HOLDER



TECHNICAL CHARACTERISTICS

- **Sensor working:** conductive
- **Probe body:** stainless steel – AISI 303
- **Insulator:** allumina (Al₂O₃)
- **Thread:** 3/8" GAS
- **Electrode:** stainless steel AISI 303 Ø 6MA L=65mm
- **Temperature:** 250°C on the electrode
- **Pressure:** 25 bar
- **Protection class:** IP40 with protection (option)
- **Weight:** 100 g

MECHANICAL DIMENSIONS



A - Coprinylon Protection
999-021-00

B - Electrode 6MA 1m long, stainless steel;
with both threaded ends
999-003-00

C - Nut 6MA
999-014-00

D - Jointing nut 6MA/6MA
999-012-00

ORDER CODE

CODE	ELECTRODE	THREAD
395-000-00	stainless steel AISI 303 L= 65mm	1/2" stainless steel
395-001-00	stainless steel AISI 303 L= 65mm	3/8" stainless steel
395-040-00	stainless steel AISI 303 L= 500mm	1/2" stainless steel
395-041-00	stainless steel AISI 303 L= 500mm	3/8" stainless steel
395-044-00	stainless steel AISI 303 L= 1000mm	1/2" stainless steel
395-045-00	stainless steel AISI 303 L= 1000mm	3/8" stainless steel

ACCESSORY

CODE	DESCRIPTION
999-021-00	A Protection coprinylon
999-003-00	B Electrode stainless steel AISI 304 L=1mt D=5,2mm
999-014-00	C Nut 6MA stainless steel
999-012-00	D Jointing nut 6MA x 6MA stainless steel